

# Key Switches

## Simple Solution for Exit, Door Release, Mechanical Override or Reset



GEM key switches are often used to control electric locks, shunt or activate security panels, or any similar requirements. They are compatible virtually with any system, and offer a secure and economic access control for a variety of applications.

### Standard Features

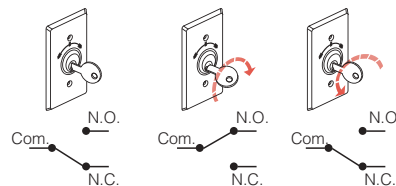
- Easy to install and maintain
- Stainless steel faceplate
- SPDT or DPDT
- Momentary or alternative (maintained) switch available

### Standard Options

- 12 to 24VDC Red & Green LEDs
- Stainless steel or metal surface back box
- Key cylinder with keys

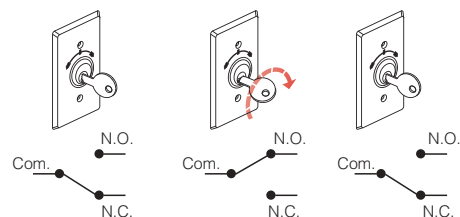
### Alternate (Maintained) Action

Turning the key left or right actuates and latches the contact. Contact position is maintained until the key is inserted and turned again.



### Momentary Action

Turning the key left or right momentarily actuates the contact.



## ANSI Standard Key Switches Series

Models	Switch Rating	Mount	Contact	Switch Type	Options		
					Back Box	LED	Cylinder
<b>KS-500</b>	5A/125VAC	Mortise	SPDT	Momentary	—	—	●
<b>KS-700W</b>	5A/125VAC	Mortise	SPDT	Momentary or Alternate (Maintained)	●	—	●
<b>KS-750</b>	5A/125VAC	Mortise	DPDT	Alternate (Maintained)	●	●	●

## European Standard Key Switches Series

Models	Switch Rating	Mount	Contact	Switch Type	Options		
					Back Box	LED	Cylinder
<b>*KS-7510A</b>	4A/125VAC	Mortise	SPDT	Momentary	—	—	—
<b>KS-800</b>	5A/125VAC	Mortise	DPDT	Alternate (Maintained)	●	●	●
<b>KS-810</b>	5A/125VAC	Mortise	DPDT	Momentary	●	●	●
<b>KS-860</b>	5A/125VAC	Mortise	DPDT	Momentary or Alternate (Maintained)	●	●	●

\*Cylinder included.

## Narrow Size Key Switches Series

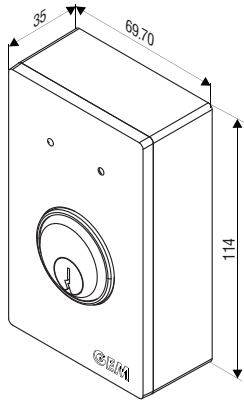
Models	Switch Rating	Mount	Contact	Switch Type	Options		
					Back Box	LED	Cylinder
<b>KS-900</b>	5A/125VAC	Mortise	DPDT	Alternate (Maintained)	●	●	●
<b>KS-910</b>	5A/125VAC	Mortise	DPDT	Momentary	●	●	●

Note:

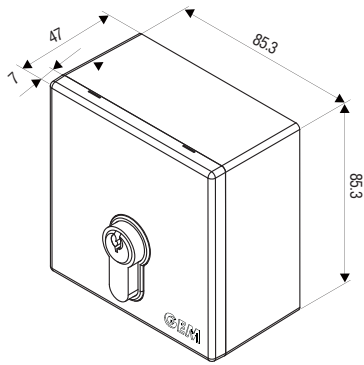
"SPDT" single pole double throw, "DPDT" double pole double throw. SPDT switch for LED option.

# Key Switches Dimensions

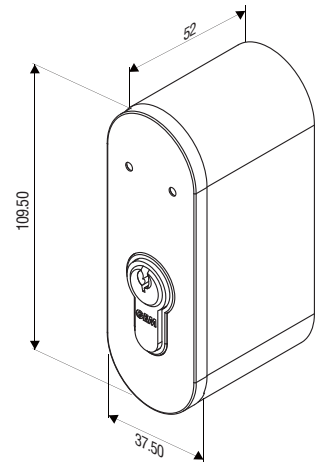
ANSI Standard Size



European Standard Size



Narrow Size



All dimensions in mm

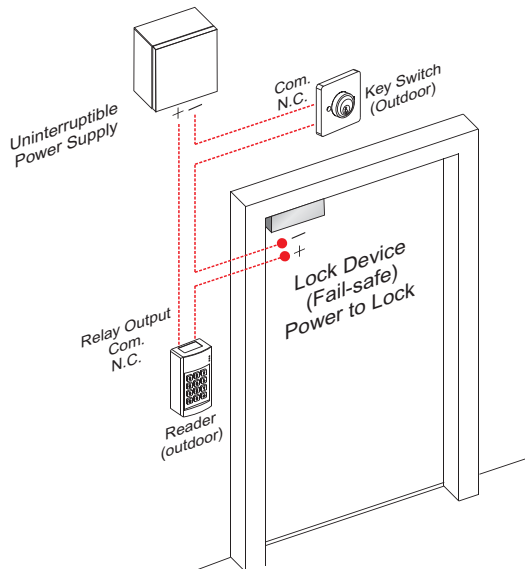
## Optional Accessories

 <p><b>SMB-050</b> Stainless steel back box, 4 9/16" x 2 3/4" x 1 3/4," Silver</p>	 <p><b>SMB-750</b> Metal back box, 4 1/2" x 2 3/4" x 1 1/4," White</p>	 <p><b>SMB-86ALU-03</b> Aluminum back box, 85.5 x 38 x 38mm, Silver</p>	 <p><b>SMB-370ALU</b> Chromium anodized back box, 110.5 x 47 x 39mm</p>
 <p><b>S-BT-KS</b> Mortise key cylinder (For KS-500/750)</p>	 <p><b>P-BT-KS-700</b> Mortise key cylinder (For KS-700W)</p>	 <p><b>ECY-45HT-5</b> Euro-profile key cylinder (For European Standard and Narrow Size series)</p>	

## Applications

GEM key switch assemblies offer an economic solution for a variety of access control applications.

### Connection to fail-safe locking devices



### Connection to fail-secure locking devices

