

Electric Strikes

GK1100 Rim Strike Series

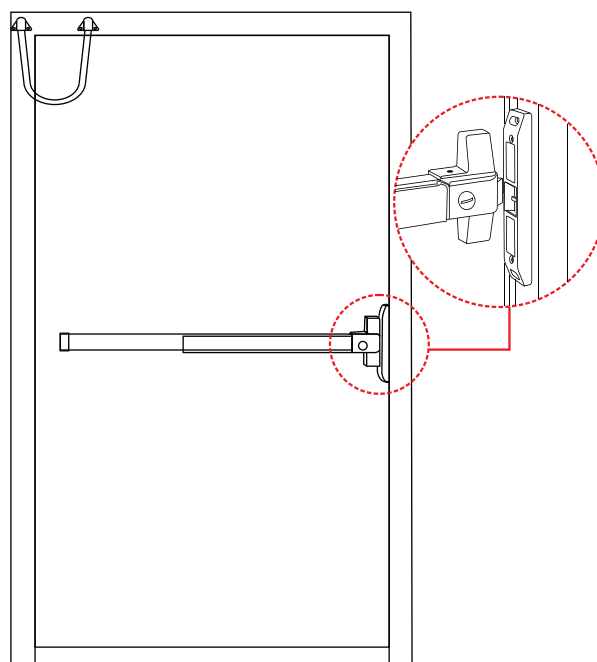
Surface Mount Electric Rim Strikes



The GK1100 series ANSI electric rim strike is surface mounted and designed for use with rim exit devices. It is field reversible for fail-safe or fail-secure operation.

Standard Features

- Field reversible fail-safe or fail-secure
- Non-handed fully reversible
- Accommodates 11/16" (17mm) latchbolt
- Static strength 1,500 lbs (680Kg)
- Latch & lock monitor (GK1100 only)
- Surface mounted
- Zinc alloy construction

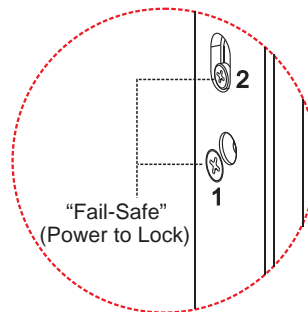
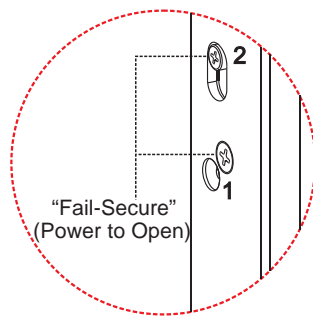


GK1100 Series ANSI Electric Rim Strikes

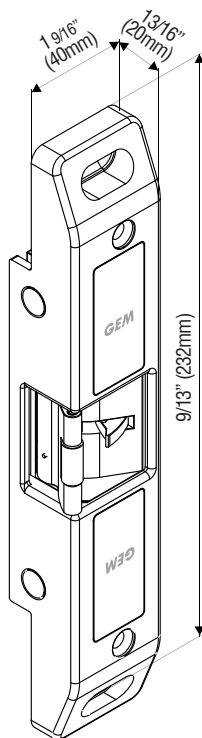
Models	Voltage (VDC)	Monitoring Output	Field Reversible Fail-Safe Or Fail-Secure	Static Strength (lbs.)
GK1100	12 to 28	Latch monitor, Lock monitor	●	1500
GK1150	12 to 28	Unmonitored	●	1500

Changing Fail-Safe / Fail-Secure

Fail-safe or fail-secure is field reversible by changing the position of screws.



GK1100 Series Dimensions



Hollow Metal Installation

