

Electric Strikes

GK1300 Series

Strong, Durable Strike in One Kit Solution



Electric Strikes

SECURITY



The GK1300 series ANSI electric strike is designed for use with heavy duty mortise locksets and cylindrical locksets. It comes with five different faceplates and can be easily installed in aluminum, metal or wooden door frames. An optional plug-in latch monitor is also available and can be easily added in the field.

Standard Features

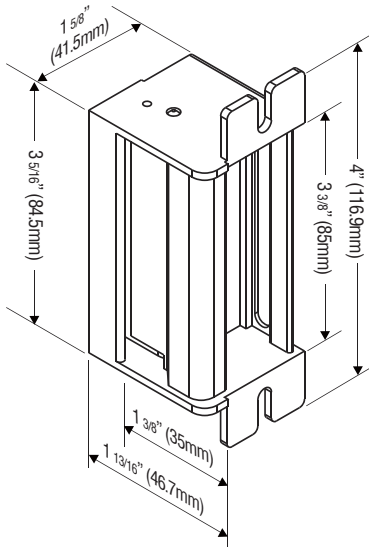
- Heavy duty stainless steel construction (US 32D)
- Vertical adjustments allow for alignment with a wide variety of mortise locks with offset latches
- 12VDC, 24VDC, or 12/24VDC
- Sliding keeper shim design for up to 1/8" (3mm) adjustment for misaligned frames
- Accommodates deadbolts up to 1"
- Field reversible for fail-safe or fail-secure
- Non-handed design fits either right or left handed doors
- Trim plate included
- Optional latch monitor SW1300 (for GK1300M)
 - Indicates when door is latched
- Includes 5 different stainless steel faceplates

Patents, Approvals, and Listings

- UL listed: BP10269
 - Static strength : 1, 000 lbs (454Kg)
 - Dynamic strength: 33 ft-lbs
 - Endurance rating: 250,000 cycles



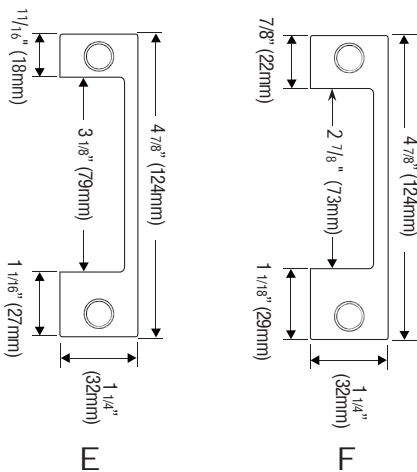
GK1300 Series Dimensions and Options



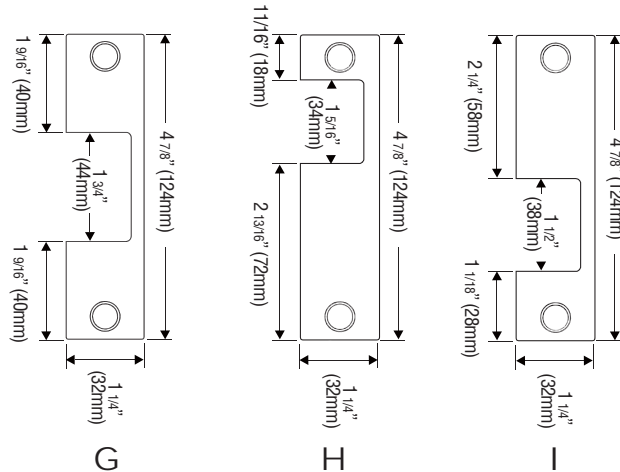
Options	12 or 24 VDC	12/24 VDC	Latch Monitor (SW1300)
Models			
GK1300-12	●		
GK1300-24	●		
GK1300-1224 <small>SECURITY UL LISTED</small>		●	
GK1300M-12 <small>SECURITY UL LISTED</small>	●		●
GK1300M-24 <small>SECURITY UL LISTED</small>	●		●
GK1300M-1224 <small>SECURITY UL LISTED</small>		●	●

GK1300 Series Faceplates Dimensions

Deadbolt Latch Installation



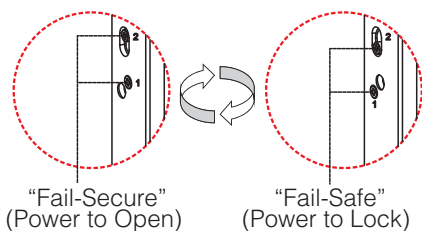
Latchbolt Installation



Note: If it is necessary to cut a hole in the frame, mounting tabs maybe required to strengthen the installation.

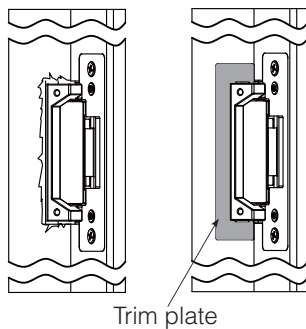
Changing Fail-Safe / Fail-Secure

Fail-safe or fail-secure is field reversible by changing the position of screws.



Trim Plate

Trim plate is included to cover any imperfections caused while prepping the frame cut out.



SW1300 Latch Monitor

The optional SW1300 latch monitor can be mounted in the strike cavity to correspond to latch position.

