

# Electric Strikes

## GK300 Series

Durable, Versatile Strikes for Residential and Business



The GK300 series ANSI electric strikes is designed for use with cylindrical locksets or mortise locksets without a deadbolt. It can be fitted to a wide range of applications and is field reversible for fail-safe or fail-secure operation.

### Standard Features

- Non-handed fully reversible
- Field reversible fail-safe or fail-secure
- Static strength 1200 lbs (544Kg)
- Trim plate included

### Optional Feature

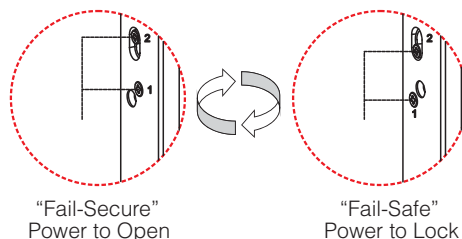
- Latch monitor

### Patents, Approvals, and Listings

- UL listed: BP10269 (GK310, GK311)
- CE: EC741012-01

### Changing Fail-Safe or Fail-Secure

Fail-safe or Fail-secure is field reversible by changing the position of screws.

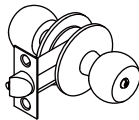

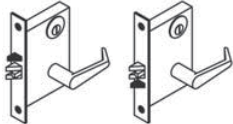
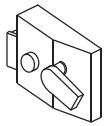


## GK300 Series ANSI Electric Strikes

Models	Voltage (VDC)	Latch Throw	Optional Latch Monitor	Reversible Fail-Safe Or Fail-Secure	Frame	Mount	Construction
<b>GK300</b> <b>GK300-ST</b>	12 or 24 12/24	9/16" (15mm)	●	●	Hollow Metal	Mortise	Zinc alloy Stainless steel
<b>GK301</b> <b>GK301-ST</b>	12 or 24 12/24	9/16" (15mm)	●	●	Wood	Mortise	Zinc alloy Stainless steel
<b>GK310</b> <b>GK310-ST</b>	12 or 24 12/24	9/16" (15mm)	●	●	Hollow Metal	Mortise	Zinc alloy Stainless steel
<b>GK311</b> <b>GK311-ST</b>	12 or 24 12/24	9/16" (15mm)	●	●	Wood	Mortise	Zinc alloy Stainless steel
<b>GK350</b>	12 or 24 12/24	9/16" (15mm)	●	●	Hollow Metal Wood	Surface	Aluminum alloy
<b>GK320</b>	12 or 24 12/24	3/4" (19mm)	●	●	Hollow Metal	Mortise	Zinc alloy
<b>GK321</b>	12 or 24 12/24	3/4" (19mm)	●	●	Wood	Mortise	Zinc alloy

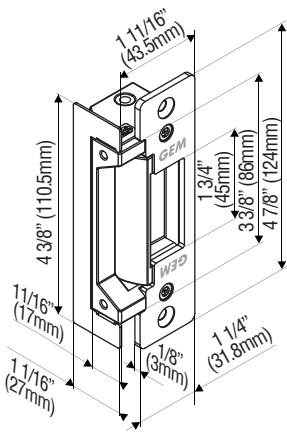
\*All models above are available with a stainless steel faceplate except GK350 series. The GK350 series is supplied with an aluminum faceplate.

### Lockset Application (Note: Lockset is Not sold with electric strike model.)

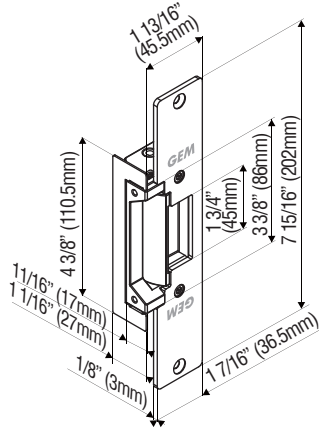
Electric Strikes Models	Locksets
GK300, GK300-ST, GK301, GK301-ST, GK310, GK310-ST, GK311, GK311-ST, GK320, GK321	<b>Cylindrical</b> Lockset with center lined latchbolt 
GK300, GK300-ST, GK301, GK301-ST, GK310, GK310-ST, GK311, GK311-ST, GK320, GK321	<b>GEM-470R/470L</b> Lockset with center lined latchbolt 
GK320, GK321	<b>Mortise</b> Mortise locksets without a deadbolt 
GK350	<b>Night Latch</b> Rim lockset 

# GK300 Series Dimensions

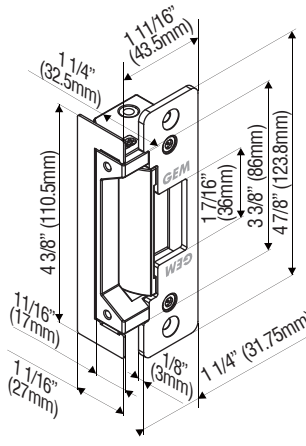
GK300 Series



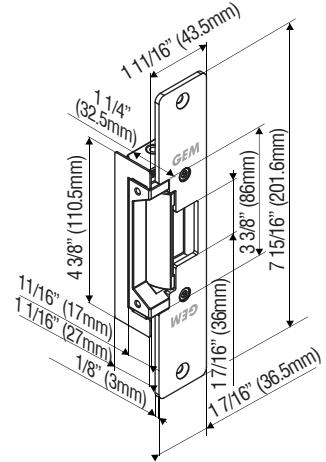
GK301 Series



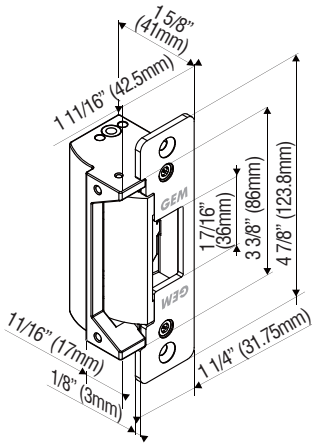
GK310 Series



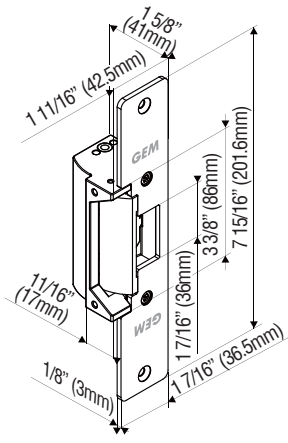
GK311 Series



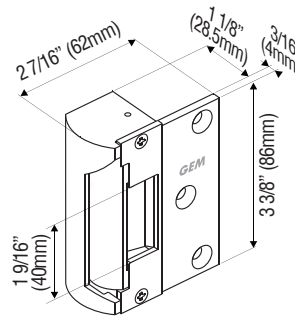
GK320 Series



GK321 Series

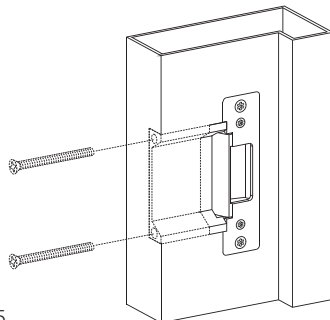
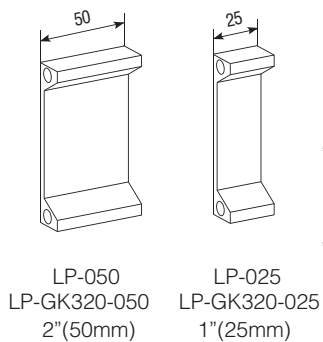


GK350 Series



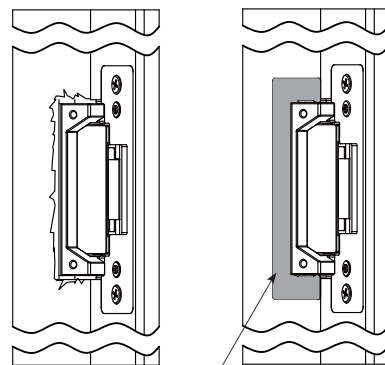
## GK300 Series Accessories

### Lip Extensions (Option)



### Trim Plate

Trim plate is included to cover any imperfections caused while prepping the frame cut out.



Trim plate