

Electric Strikes

GK450/480 Series

Durable, Versatile Strikes for Residential and Business



The GK450 series ANSI electric strike is designed for use with cylindrical locksets and mortises locksets without a deadbolt and can be installed in metal and wooden door frames. It includes a latch monitor and is field reversible for fail-safe or fail-secure operation.

Standard Features

- Non-handed fully reversible
- Field reversible fail-safe or fail-secure
- Stainless steel faceplate

Optional Features

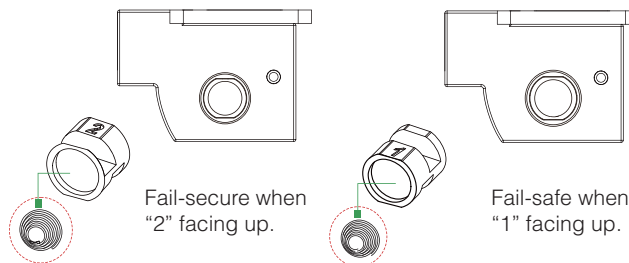
- Latch monitor

Patents, Approvals, and Listings

- UL listed: BP10269 (GK450,451,480,481)
 - Static strength: 1,500 lbs (680 Kg)
 - Dynamic strength: 70 ft-lbs
 - Endurance rating: 100,000 cycles

Changing Fail-Safe / Fail-Secure

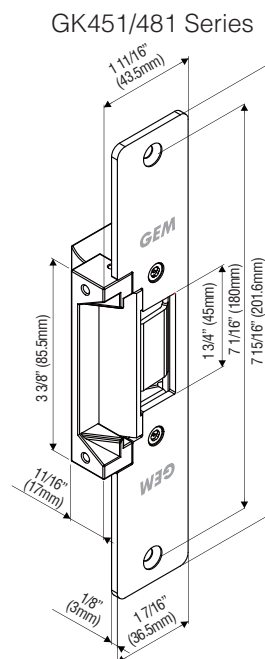
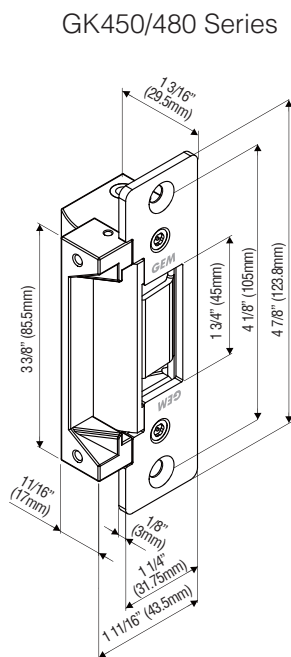
Fail-safe or fail-secure is field reversible by reversing the round screw.



GK450/480 Series ANSI Electric Strikes

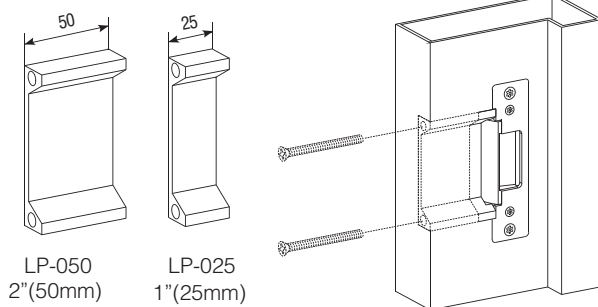
Models	Voltage (VDC)	Latch Throw	Optional Latch Monitor	Reversible Fail-Safe Or Fail-Secure	Frame	Construction
GK450 GK450-ST	12 or 24 12/24	9/16" (15mm)	●	●	Hollow Metal	Zinc alloy Stainless steel
GK451 GK451-ST	12 or 24 12/24	9/16" (15mm)	●	●	Wood	Zinc alloy Stainless steel
GK480 GK480-ST	12 or 24 12/24	3/4" (19mm)	●	●	Hollow Metal	Zinc alloy Stainless steel
GK481 GK481-ST	12 or 24 12/24	3/4" (19mm)	●	●	Wood	Zinc alloy Stainless steel

GK450/480 Series Dimensions



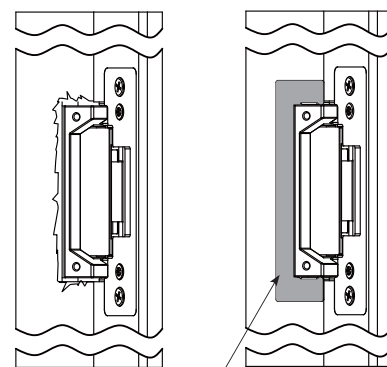
GK450/480 Series Accessories

Lip Extensions (Option)



Trim Plate

Trim plate is included to cover any imperfections caused while prepping the frame cut out.



Trim plate