

Electric Strikes - ANSI Series

GK500 Series

Durable, Versatile Strikes for Residential & Business



The GK500 ANSI series electric strikes are designed for use with cylindrical locksets. The GK550/580 series features hold-open function (internal) that enables the strike to stay unlocked until the actual opening of the door. The GK580/590 series offers three choices of faceplate options to meet your requirements.

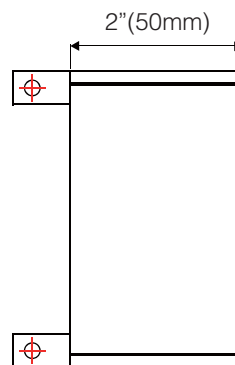
Standard Features

- Endurance 1,000,000 cycles
- Non-handed fully reversible
- Zinc alloy construction
- Static strength 1,000 lbs (454Kg)
(800 lbs (363Kg) for GK550/580 series)
- Stainless steel keeper
(Except GK550/580 series)
- Faceplates included for centerline or
offset latch entry

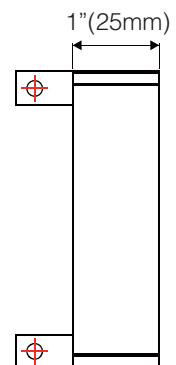
Other Features

- Internal hold-open function
- Adjustable keeper

GK500 ANSI Series Optional Accessories Lip Extensions (GK580 series Only)



LP-GK580-050



LP-GK580-025

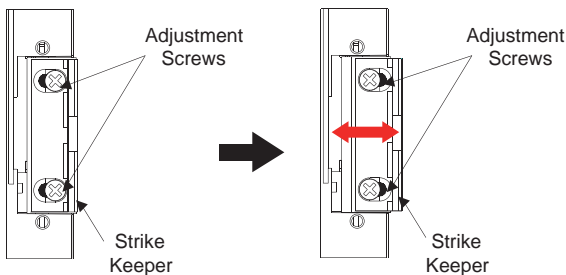
GK500 ANSI Series Electric Strikes

Models	Voltage	Mode	Latch Throw	Adjustable Keeper	Hold-Open (Internal)	Optional Faceplates
For Offset Latch Entry The strike portion is not centered on the reversible faceplate.						
GK505	8-16 VAC 12 or 24VDC	Fail-secure	11/16" (16.8mm)	—	—	—
GK506	12 or 24VDC	Fail-safe	11/16" (16.8mm)	—	—	—
GK570	12 or 24VDC	Fail-safe	3/8" (9mm)	—	—	—
GK571	8-16 VAC 12 or 24VDC	Fail-secure	3/8" (9mm)	—	—	—
For Centerline Latch Entry The strike portion is centered on the reversible faceplate.						
GK507	8-16 VAC 12 or 24VDC	Fail-secure	11/16" (16.8mm)	—	—	—
GK508	12 or 24VDC	Fail-safe	11/16" (16.8mm)	—	—	—
GK550	12 or 24VDC	Fail-safe	1/2" (12mm)	●	—	—
	12 or 24VDC	Fail-secure	1/2" (12mm)	●	—	—
	12 or 24VDC	Fail-secure	1/2" (12mm)	●	●	—
GK580	12 or 24VDC	Fail-safe	5/8" (16mm)	●	—	P-FP-S-GK580-ST P-FP-M-GK580-ST P-FP-L-GK580-ST
	12 or 24VDC	Fail-secure	5/8" (16mm)	●	—	P-FP-S-GK580-ST P-FP-M-GK580-ST P-FP-L-GK580-ST
	12 or 24VDC	Fail-secure	5/8" (16mm)	●	●	P-FP-S-GK580-ST P-FP-M-GK580-ST P-FP-L-GK580-ST
GK590	8-16VAC 12 or 24 VDC/AC	Fail-secure	5/8" (16mm)	—	—	P-FP-S-GK580-ST P-FP-M-GK580-ST P-FP-L-GK580-ST

Notes:

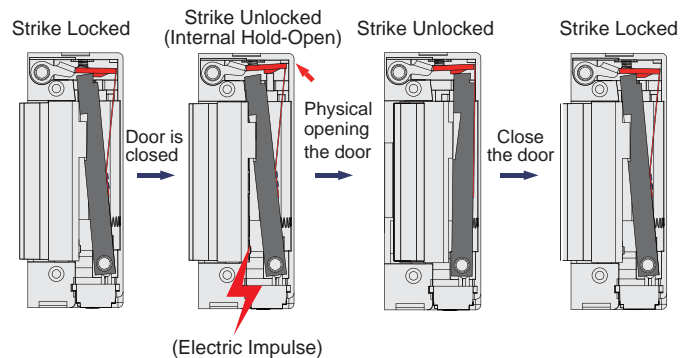
1. The GK506 also includes centerline latch entry faceplate.
2. The 580 series is compatible with cylindrical locksets and mortise locksets without a deadbolt.
The 590 series also accommodates GEM-470R/L locksets.
3. Faceplate finish: Stainless steel (For GK580/590 series)
US26D Chrome plated (For GK506/507/508/509/570/571)

Adjustable Keeper



The GK550/580 series features an **adjustable keeper** that can be moved horizontally to compensate for installation difficulties such as warped doors.
(Maximum adjustable range: 3mm)

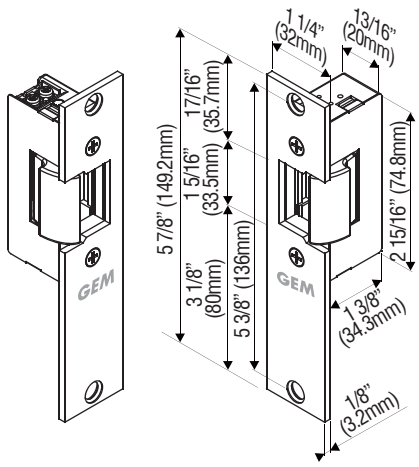
Hold-Open (Internal)



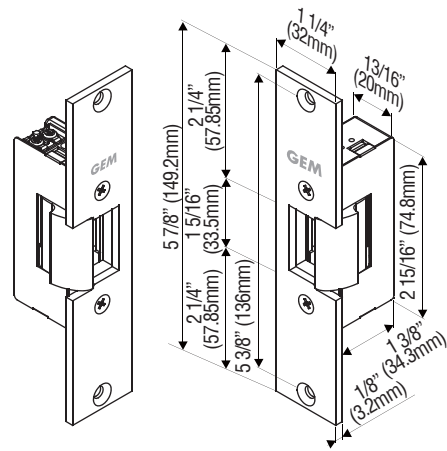
The hold-open function (Internal) enables strike to become unlocked after single electric impulse. The electric strike is open until physical opening the door, then the latch is coming back to standard position (closed). Internal hold-open has no extending switch and does not have to be adjusted to the door latch.

GK500 ANSI Series Dimensions

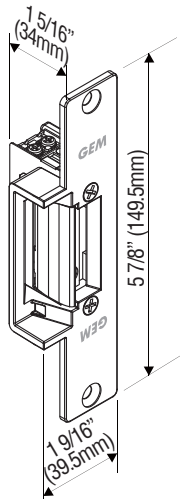
GK505/GK506



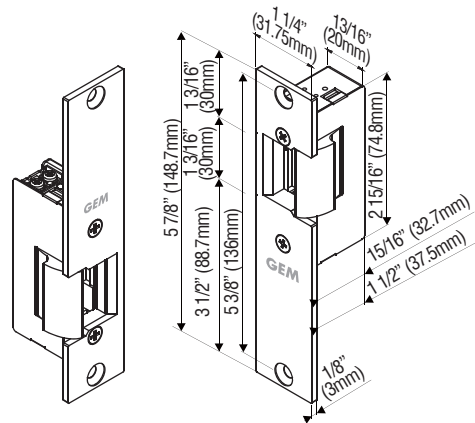
GK507/GK508



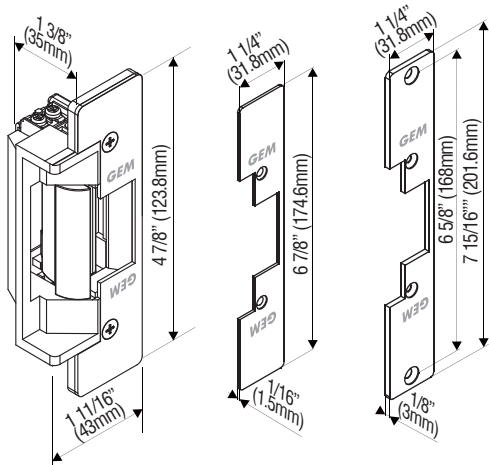
GK550 Series



GK570/GK571



GK580 Series



GK590 Series

