

Electric Strikes - European Series

GK500 Series

Durable, Versatile Strikes for Residential & Business



The GK500 European series electric strikes are designed for use with a night latch or mortise lockset. The GK515/525/545 provides hold-open function (internal) that enables the strike to stay unlocked until the actual opening of the door. The GK520/525 features a mechanical lever for manual release. The GK530/540/545 electric strikes have a stainless steel keeper for enhanced security.

Standard Features

- Endurance 1,000,000 cycles
- Non-handed fully reversible
- Zinc alloy construction
- Static strength
 - 800 lbs (363Kg) (For GK500/510/515/520/525)
 - 1000 lbs (454Kg) (For GK530/540/545)

Faceplates

- Stainless steel/Grey powder coated finish
- 4 Different faceplates included for surface or mortise installation

Other Features

- Hold-open function (Internal)
- Mechanical lever (For GK520/525)
- Adjustable keeper
- Latch monitor

Patents, Approval, and Listings

- CE: EC741012-01 (GK500, GK505, GK510, GK515)

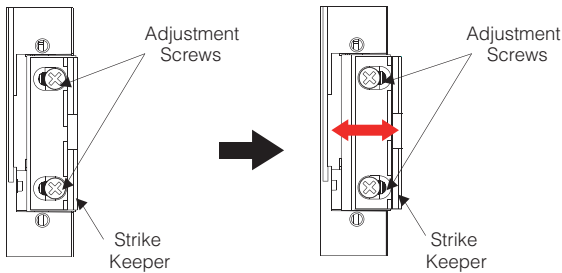
GK500 European Series Electric Strikes

Models	Voltage (VDC)	Mode	Latch Throw (mm)	Adjustable Keeper	Hold-Open (Internal)	Mechanical Lever	Optional Faceplates
GK500 *GK500M	12 or 24	Fail-safe	9	●	—	—	FP-GK160 FP-GK250 FP-GK106 FP-GK110
GK510 *GK510M	12 or 24	Fail-secure	9	●	—	—	FP-GK160 FP-GK250 FP-GK106 FP-GK110
GK515 *GK515M	12 or 24	Fail-secure	9	●	●	—	FP-GK160 FP-GK250 FP-GK106 FP-GK110
GK520	12 or 24	Fail-secure	9	●	—	●	FP-GK160 FP-GK106
GK525	12 or 24	Fail-secure	9	●	●	●	FP-GK160 FP-GK106
**GK530	12 or 24	Fail-safe	13	—	—	—	FP-GK160 FP-GK250 FP-GK106 FP-GK110
**GK540	12 or 24	Fail-secure	13	—	—	—	FP-GK160 FP-GK250 FP-GK106 FP-GK110
**GK545	12 or 24	Fail-secure	13	—	●	—	FP-GK160 FP-GK250 FP-GK106 FP-GK110

*Includes latch monitor.

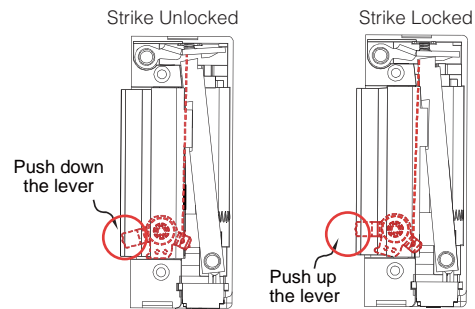
** Available with stainless steel keeper.

Adjustable Keeper



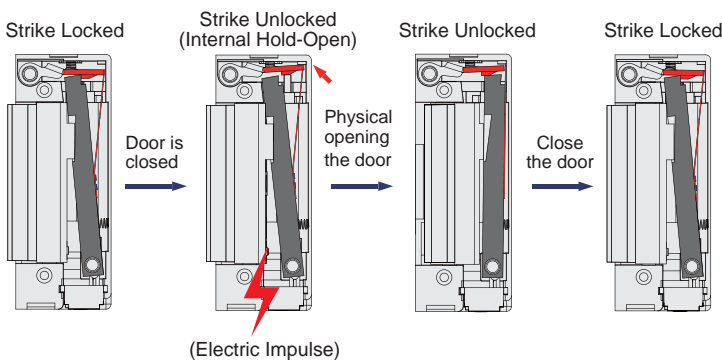
The GK550/580 series features an **adjustable keeper** that can be moved horizontally to compensate for installation difficulties such as warped doors. **(Maximum adjustable range: 3mm)**

Mechanical Unlocking



The GK520/525 features a mechanical lever that can be activated to keep the strike opened until pushed back manually.

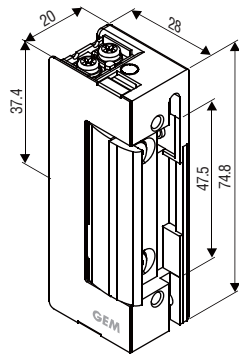
Hold-Open (Internal)



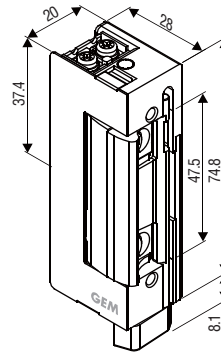
The hold-open function (Internal) enables strike to become unlocked after single electric impulse. The electric strike is open until physical opening the door, then the latch is coming back to standard position (closed). Internal hold-open has no extending switch and does not have to be adjusted to the door latch.

GK500 European Series Solenoid Dimensions

GK500 Series

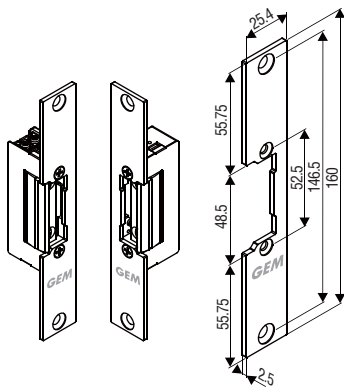


GK500M Series

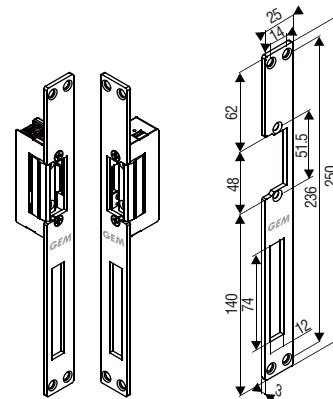


GK500 European Series with Faceplate Options

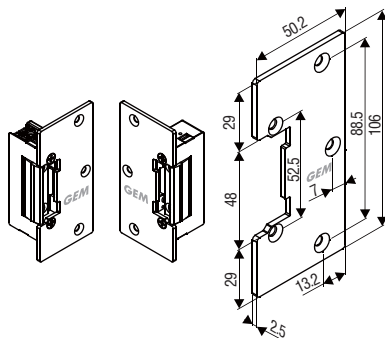
FP-GK160
Mortise mount



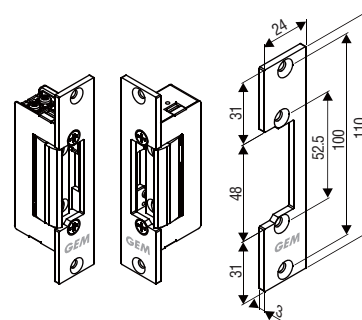
FP-GK250
Mortise mount



FP-GK106
Surface mount



FP-GK110
Mortise mount



All dimensions in mm