

Electric Strikes

GK600 Series

Durable Strikes for Residential and Business



Electric Strikes

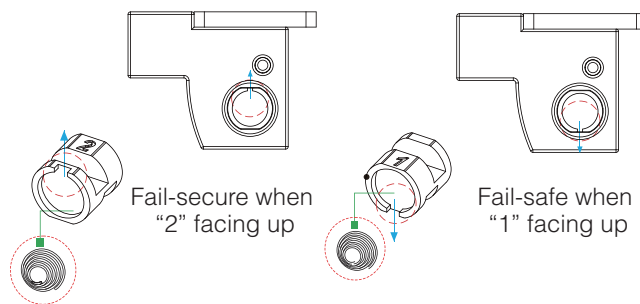
The GK600 series is a European electric strike designed for cylindrical or mortise locksets. It can be installed in metal and wooden door frames and is field reversible for fail-safe or fail-secure operation.

Standard Features

- 12 or 24 VDC
- Accommodates 3/8" (10mm) latchbolt
- Field reversible fail-safe or fail-secure
- Stainless steel faceplate
- Zinc alloy construction
- Non-handed fully reversible
- Endurance 1,000,000 cycles

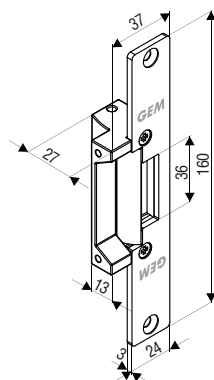
Changing Fail-Safe / Fail-Secure

Fail-safe or fail-secure is field reversible by reversing the round screw.

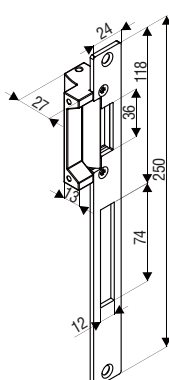


GK600 Series Dimensions

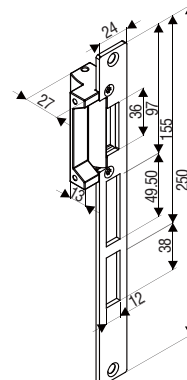
GK600



GK610



GK620



All dimensions in mm

