

Cabinet Locks

Convenient and Secure Locking Solution



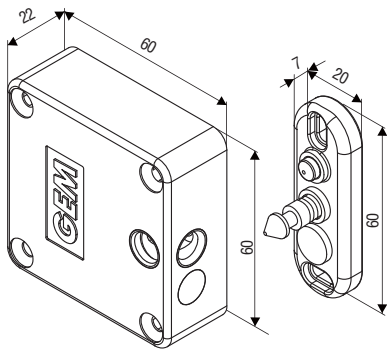
CK100



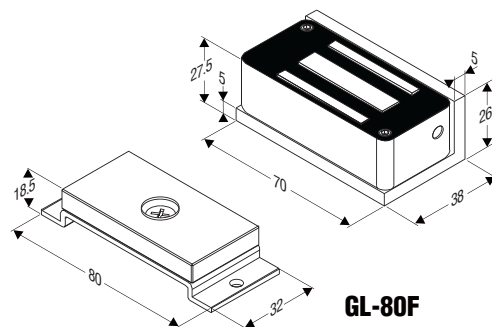
GL-80F

GEM Cabinet Locks are compact and consume little energy. The CK100 Cabinet Lock is motor operated and includes a bond sensor and door status output. The GL-80F Mini Electromagnetic Lock has a stainless steel housing and provides 80lbs. of holding force for small access control applications.

	CK100 Cabinet Lock	GL-80F Mini Electromagnetic Lock
Voltage	12-28 VAC/DC	12 or 24 VDC
Mode	Fail-secure	Fail-safe
Operation	Motor	—
Spring Door Open Release	•	—
Proximity	—	—
Monitoring Output	Bond sensor & door status	Optional bond sensor
Relock Time Delay	•	—
Applications	<ul style="list-style-type: none"> • Can be fitted to drawers, filing cabinets, drug cabinets, gym lockers • Various mounting positions • Compatible with existing keypads or readers • Can be integrated with access control system 	



CK100



GL-80F

All dimensions in mm