

Electric Dropbolts

Secure and Intelligent Bolts

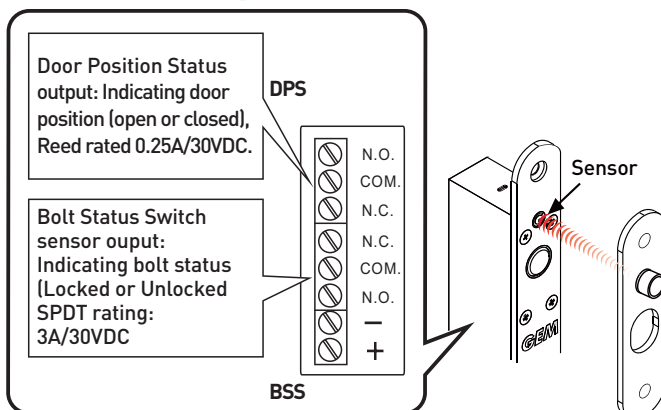


GEM Electric Dropbolts are mortise mounted and available in fail-safe and fail-secure mode.

The Electric Dropbolt Fail-safe series electric dropbolts can be mounted horizontally or vertically and provide various functions. They are designed for use on double action doors and ideal for applications where an electromagnet lock or electric strike is impractical. The EB262N is supplied with a positioning bolt that can be adjusted to compensate for wide door gaps for proper contact with the strike plate. Surface mount versions are also available for hollow metal door and frameless glass door application.

The Electric Dropbolts Fail-secure series is designed for use on single swing doors. The EB261/265 features a beveled, reversible latchbolt that allows the handing to be changed in seconds. With a Euro-profile cylinder, the Electric Dropbolts Fail-Secure series can be operated manually in case of power failure.

DPS & BSS Outputs



Fail-Safe Series Functions

- Bolt status sensor output
- Door position status output
- Relock time delay
- Buzzer alarm (Door ajar alarm)
- Push button trigger input
- Positioning bolt (For EB262N)

Fail-Secure Series Functions

- Bolt status sensor output
- Relock time delay
- Reversible latchbolt (For EB261, EB265)
- Mechanical override with a cylinder

Patents, Approvals, and Listings

CE: EC262504-01

Patented in Taiwan (For EB270)

Electric Dropbolts Fail-Safe Series

| Models | Voltage (VDC) | Current Draw | | Functions | | | | | |
|--|---------------|---------------|---------------|-------------|-------------|--------------|---------------------|--------------|-------------|
| | | Pull in (Amp) | Holding (Amp) | BSS | DPS | Relock Timer | Trigger Push Button | Buzzer Alarm | |
| Mortise Mount | | | | | | | | | |
| EB180 EB185 | 12 24 | 0.9 0.4 | 0.15 0.1 | ● | — | ● | — | — | — |
| EB190TG EB195TG | 12 24 | 0.9 0.45 | 0.15 0.1 | ● | ● | ● | ● | — | — |
| EB200NLW | 12 | 0.9 | 0.3 | — | ● | ● | — | — | — |
| EB220N EB220NDS EB220NDB | 12 | 0.9 | 0.3 | ● ● ● | — ● ● | ● ● ● | — — — | — — ● | — — — |
| EB262N EB262NDS EB262NDB | 12 | 0.9 | 0.3 | ● ● ● | — ● ● | ● ● ● | — — — | — — ● | — — — |
| Surface Mount (For Hollow Metal Doors) | | | | | | | | | |
| EB185S | 12 24 | 0.9 0.4 | 0.15 0.1 | ● | ● | ● | — | — | — |
| EB195TGS | 12 24 | 0.9 0.45 | 0.15 0.1 | ● | ● | ● | ● | — | — |
| EB300 | 12 | 0.9 | 0.3 | ● | — | ● | — | — | — |
| EB400NDB | 12 | 0.9 | 0.3 | ● | ● | ● | — | — | ● |
| Surface Mount (For Frameless Glass Doors/Walls) | | | | | | | | | |
| EB195TGVGL | 12 24 | 0.9 0.45 | 0.15 0.1 | ● | ● | ● | ● | — | — |
| EB200NVGL | 12 | 0.9 | 0.3 | — | ● | ● | — | — | — |
| EB300VGL | 12 | 0.9 | 0.3 | — | ● | ● | — | — | — |

Notes:

- The EB180/190TG is available with a round faceplate and strike plate. The EB262N includes a positioning bolt.
- Optional bracket (UBK-262N) for semi-frameless glass doors: EB220N/EB262N
Optional bracket (SMB-200N, UBK-200N-38) for frameless glass doors: EB200NLW
- EB220N series has 32/35/38 mm faceplates options.

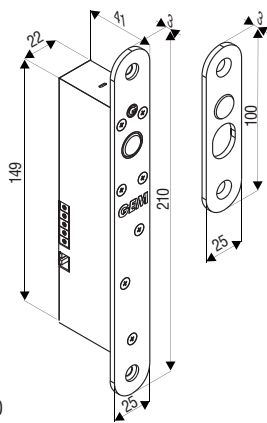
Electric Dropbolts Fail-Secure Series

| Models | Voltage | Current Draw | Function | Option | Reversible Latch Bolt | Backset (mm) |
|-----------------|------------------|--------------|--------------|-------------------|-----------------------|--------------|
| EB260-N | 12 to 28 VDC | 1.2A/12VDC | Relock Timer | BSS, Cylinder Key | — | 35 |
| EB261 EB261M | 12 to 24 VAC/VDC | 1.2A/12VDC | — | BSS, Cylinder Key | ● | 35 |
| EB265 EB265M | 12 to 24 VAC/VDC | 1.2A/12VDC | — | BSS, Cylinder Key | ● | 55 |
| EB270 EB270M | 12 to 24 VAC/VDC | 1.2A/12VDC | Deadlatch | BSS, Cylinder Key | ● | 35 |

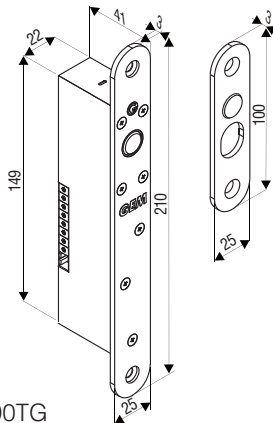
Note:

M: Monitored, BSS: Bolt sensor status output, DPS: Door position status output

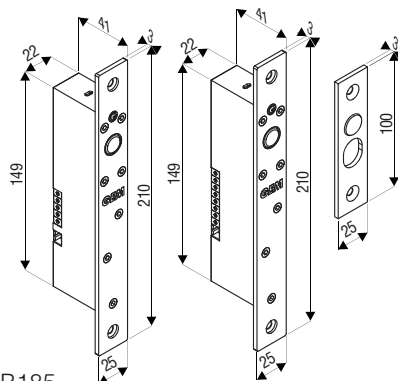
Fail-Safe Series Dimensions Mortise Mount



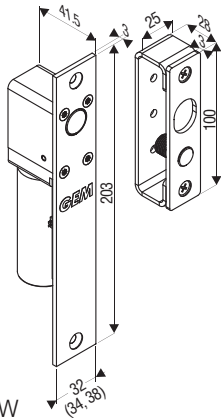
EB180



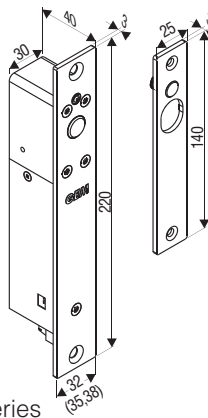
EB190TG



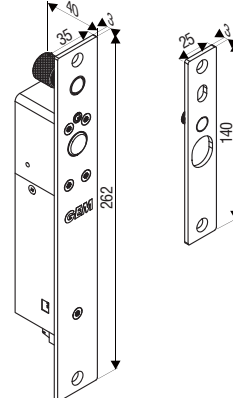
EB185
EB195TG



EB200NLW

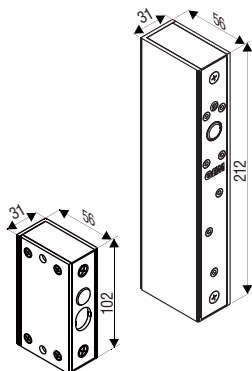


EB220N Series

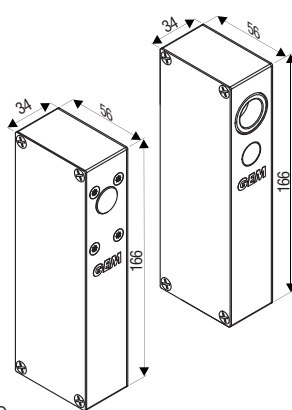


EB262N Series

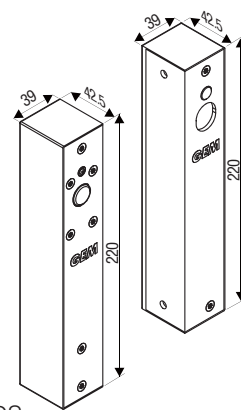
Surface Mount for Hollow Metal Doors



EB185S/EB195TGS

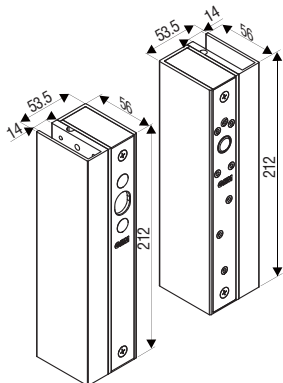


EB300

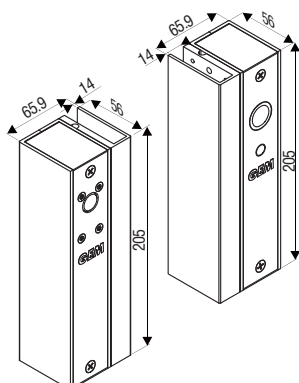


EB400NDS

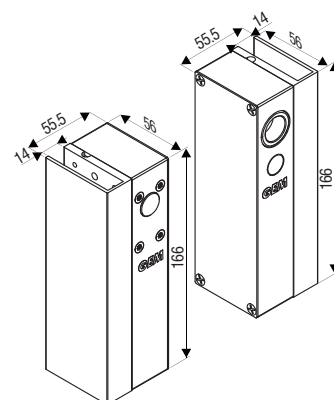
Surface Mount for Frameless Glass Doors



EB195TGVGL



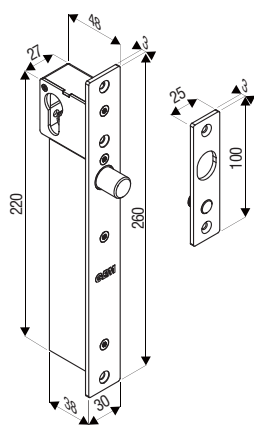
EB200NVGL



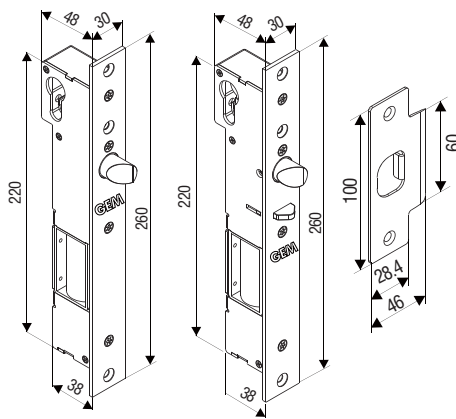
EB300VGL

All dimensions in mm

Fail-Secure Series Dimensions

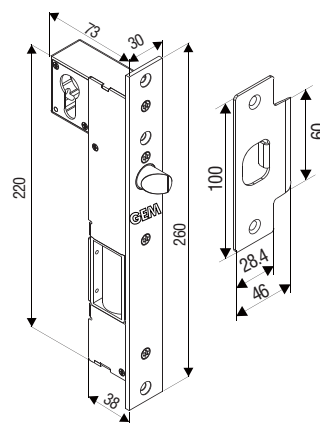


EB260-N



EB261

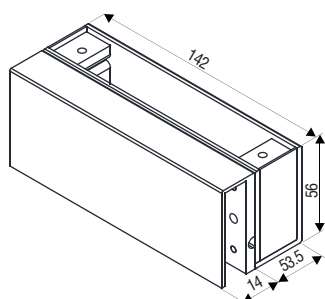
EB270



EB265

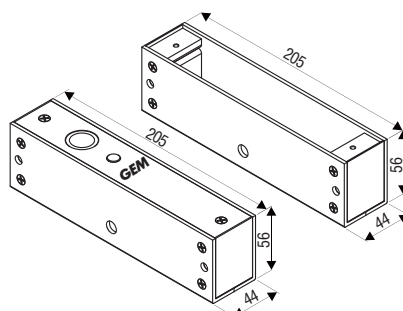
Optional Brackets

For semi-frameless glass doors



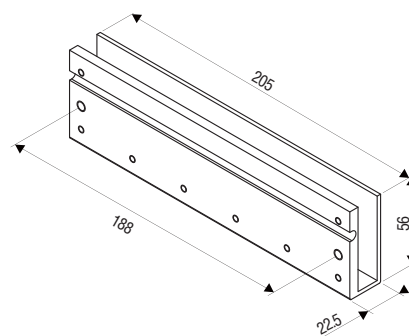
UBK-262N
For EB220N, EB262N

For frameless glass doors



SMB-200N
For EB200NLW

For frameless glass doors



UBK-200N-38
For EB200NLW

Glass thickness: 10 or 12mm

Optional Cylinder & Key Accessories for Fail-Secure Series

ECY-72S
Euro-profile thumbturn cylinder



ECY-72D
Euro-profile double cylinder



ECY-72D-BL
Blue key



ECY-72D-RE
Red key

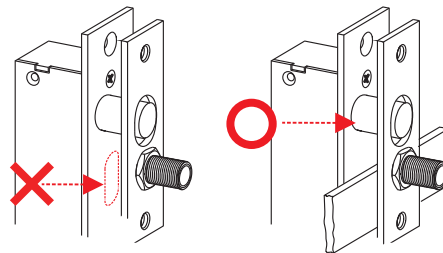


All dimensions in mm

Electric Dropbolts Fail-Safe Series Features

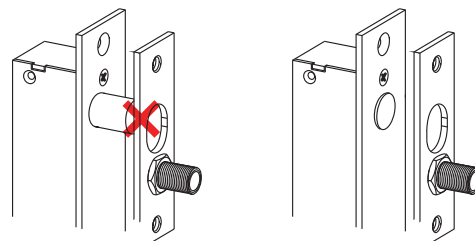
Vandal Resistant

The lock cannot be defeated by slipping a metal object between the lock and strike plate. After the bolt is projected to lock the door, the sensor detection immediately stops to prevent unauthorized access attempts.



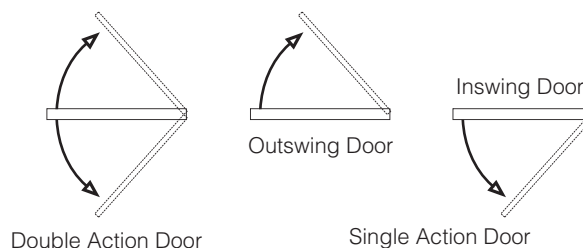
Intelligent Electronics

Built-in intelligent logic circuit allows the bolt to project several times until the swing through door is settled in the closed position.



Double / Single Action Doors

GEM electric dropbolts can be used on double or single action doors.



Energy Saving Design

When the bolt is projected to lock the door, the current draw drops from 0.9A to 0.3A.

