

Digital Keypad System

Standalone DG Series

DG-185/187/195/200



DG-185/187



DG-195



DG-200



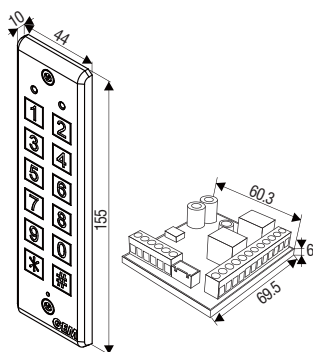
Standard Features

- LED indicators and built-in buzzer for status and programming feedback
- Spilt keypad and controller system for higher security (For DG-187)
- Keypad tamper lockout
- Piezo keypad technology (For DG-185 & DG-187)
- Additional input for anti-tailgating to ensure higher security access control
- Available with ANSI electrical box or European size back box for mortise mount (For DG-195)

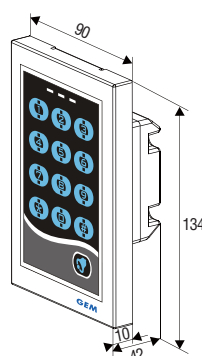
Models	Voltage	Descriptions
DG-185	12 to 24 VDC	All-in-one standalone keypad and controller, 1000+10 users, 4-6 digit PIN codes, Weatherproof (IP65) piezo keypad
DG-187	12 to 24 VDC	Spilt keypad and controller system, 1000+10 users, 4-6 digit PIN codes, Weatherproof (IP65) piezo keypad
DG-195	12 to 24 VDC	99 users, 4-8 digit PIN codes, Stainless steel case, Door bell button
DG-200	12 to 24 VDC	200+10 users, 4 or 5 digit PIN codes, Stainless steel case, Heavy duty outdoor use

Standalone DG Series Dimensions

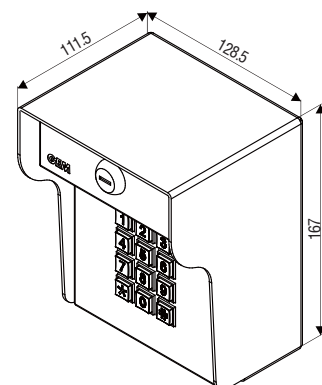
DG-185 / DG-187



DG-195



DG-200



All dimensions in mm

Digital Keypad System

Standalone DG Series

DG-15LD/25LD/35LD and 101



DG-15LD



DG-25LD



DG-35LD



DG-101 Series



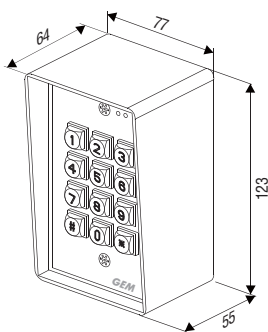
Standard Features

- 1 or 2 relays to control door locks and other security devices
- LED indicators and built-in buzzer for status and programming feedback
- Keypad tamper lockout
- Backlit keypad for better visibility and operation
- Additional input for anti-tailgating to ensure higher security access control

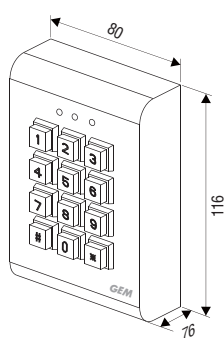
Models	Voltage	Descriptions
DG-15LD	12 or 24 VDC	20+1 users, 4 or 5 digit PIN codes, 2 Relays, Aluminum alloy case with vandal resistant screws
DG-25LD	12 or 24 VDC	49+50 users, 5 digit PIN codes, 2 Relays, Stainless steel case with vandal resistant screws
DG-35LD	12 VDC	Split keypad and controller, 200 users, 4 ~6 digit PIN codes, 1 Relay, Stainless steel, case, Weatherproof (IP65)
DG-101 Series	12 or 24 VDC	49+50 users, 5 digit PIN codes, 2 Relays, Plastic ABS case, Motrise mount can be in ANSI electrical box or surface mount with SMB-500 back box, Black/White color available

Standalone DG Series Dimensions

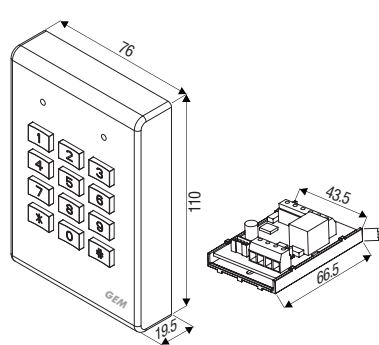
DG-15LD



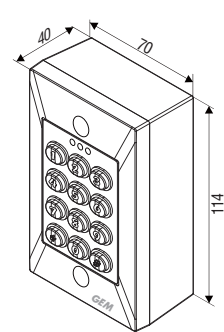
DG-25LD



DG-35LD



DG-101 Series



All dimensions in mm

Access Controls