

# Proximity Keypad System

## Standalone Easy Version

### DG-ea100/200/300



DG-ea100



DG-ea200



DG-ea300

### Standard Features

- Weather resistant and vandal housing
- EM and Mifare technologies
- 500 cards capability
- 100 users, 1~6 digit PIN codes
- Keypad tamper lockout
- Red, green and yellow LED for status and programming feedback
- Configurable audible annunciator: Keypad Entry, Door Ajar, Tamper Lockout, Keypad Active
- Fail-secure or Fail-safe capable
- Request to Exit, Alarm, Door sensor outputs

### PROX Only

- 3 User Modes:
- PIN or Card
  - Card Only
  - Card and PIN

### Specifications

Voltage	Current	Alarm Output	Relay	Keypad Output	Wiring	Temperature	Humidity	Color
12 to 24 VDC/AC @2A DC	Up to 80 mA	5VDC @ 25mADC	12VDC @ 2ADC	32bit Wiegand	6" Pigtail	14°F~149°F (-10°C~+65°C)	0% to 95% non-condensing	Black

### DG-ea100/200/300

Models	Descriptions
<b>DG-ea100</b>	ANSI size Easy version standalone PROX keypad and controller EM+Mifare, 80Wx115Hx20D mm
<b>DG-ea200</b>	European size Easy version standalone PROX keypad and controller EM+Mifare, 86Wx86Hx20D mm
<b>DG-ea300</b>	Slim / Narrow size Easy version standalone PROX keypad and controller EM+Mifare, 140Wx45Hx20D mm

# Proximity Keypad System

## Standalone DG Series

### DG-160/175/300/600/800/900



DG-160



DG-175



DG-300 Series



DG-600-E



DG-800



DG-900 Series

### Standard Features

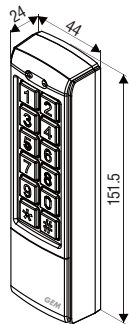


- Relay to control door lock and other security devices
- Backlit keypad for better visibility and operation (For DG-160, 175, 300, 800)
- Keypad tamper lockout
- Additional input for anti-tailgating to ensure higher security access control
- LED indicators and built-in buzzer for status and programming feedback
- Weatherproof (IP65)

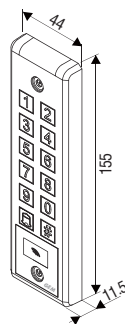
Models	Voltage	Descriptions
<b>DG-160</b>	12-24 VDC	Slim/narrow size, 1000+10 PROX cards/tokens and 4 digit PIN codes, 2 Relays, 5 cm Read range, EM 125KHz
<b>DG-175</b>	12-24 VDC	Slim/narrow size, 1000 PROX cards/tokens and 4 digit PIN codes, 1 Electronic switch, 4 cm Read range, Piezo keypad, EM 125KHz
<b>DG-300EM DG-300MF</b>	12-24 VDC	ANSI size, 1000+10 PROX cards/tokens and 4 digit PIN codes, 2 Relays, EM 125KHz or Mifare 13.56MHz
<b>DG-600-E</b>	8.5-16 VDC	ANSI size, 600 PROX cards/tokens and 5 digit PIN codes, 2 Relays, 26-bit or 44-bit Wiegand, EM 125KHz
<b>DG-800</b>	12-24 VDC	Slim/narrow size, 1000+10 PROX cards/tokens and 4 digit PIN codes, 2 Relays, 5 cm Read range, EM 125KHz

### Standalone DG Series Dimensions

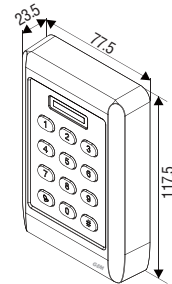
DG-160



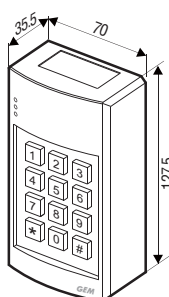
DG-175



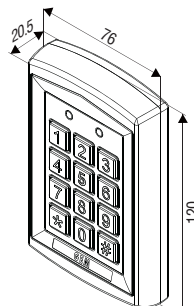
DG-300 Series



DG-600-E



DG-800



All dimensions in mm

# Proximity Readers

## Standalone EASIPROX Series



EASIPROX



EASIPROX-ANSI



EASIPROX-980-40

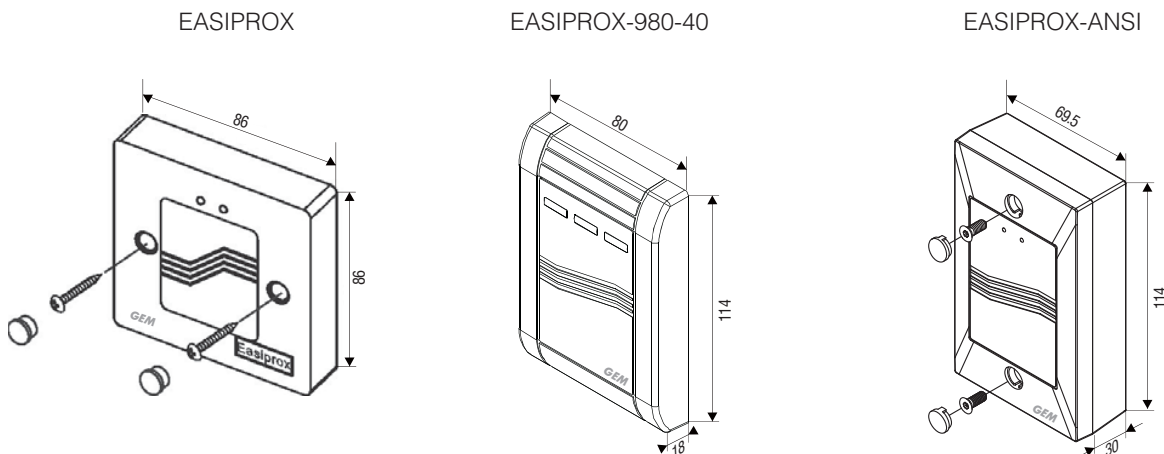


### Standard Features

- Weather resistant
- LED indicators for status and programming feedback
- Fail-secure or Fail-safe capable
- Request to Exit, alarm, door sensor

Models	Voltage	Descriptions
<b>EASIPROX</b>	12 VDC	European size, 2000 PROX cards/tokens, 10~15 cm Range, EM125KHz, Plastic ABS case
<b>EASIPROX-980-40</b>	12 VDC	ANSI single gang, 2000 PROX cards/tokens, 10~15 cm Range, EM125KHz, Plastic ABS case, Black/white color available
<b>EASIPROX-ANSI</b>	12 VDC	ANSI single gang, 2000 PROX cards/tokens, 10~15 cm Range, EM125KHz, Plastic ABS case, Black/white color available

### Standalone EASIPROX Series Dimensions



All dimensions in mm