

# Electromagnetic Locks **Mortise Series**



Concealed Magnetic Locks for Sliding Doors



10000



10003M



10000ST



The Mortise series electromagnetic lock is mortise mounted and designed for securing sliding doors. The 10000 and 10000ST mini locks are specially designed with up to 600 lbs holding force. The 10003M micro lock provides 300 lbs holding force and has a stainless steel housing for weatherproof protection.

## Standard Features

- Mortise mounted, suitable for sliding doors
- Low energy consumption
- MOV prevents spike and surge current
- Armature kick-off device ensures no residual magnetism

## AMB-300 Bracket (Option) (For 10000/1000ST)



## Patents, Approvals, and Listings

- CE: EC3D0908-02 (For 10000)

# Mortise Series Electromagnetic Locks

Models	Holding Force (lbs)	Voltage (VDC)	Current Draw	Standard Options	Housing Finish	Optional Bracket
<b>10003M</b>	300	12 or 24	300mA/12 VDC 250mA/24 VDC	R	Brushed stainless steel (US32D)	—
<b>10000</b>	600	Dual 12/24	500mA/12 VDC 250mA/24 VDC	R	Aluminum anodized (US28)	AMB-300
<b>10000ST</b>	600	Dual 12/24	500mA/12 VDC 250mA/24 VDC	R	Brushed stainless steel (US32D)	AMB-300

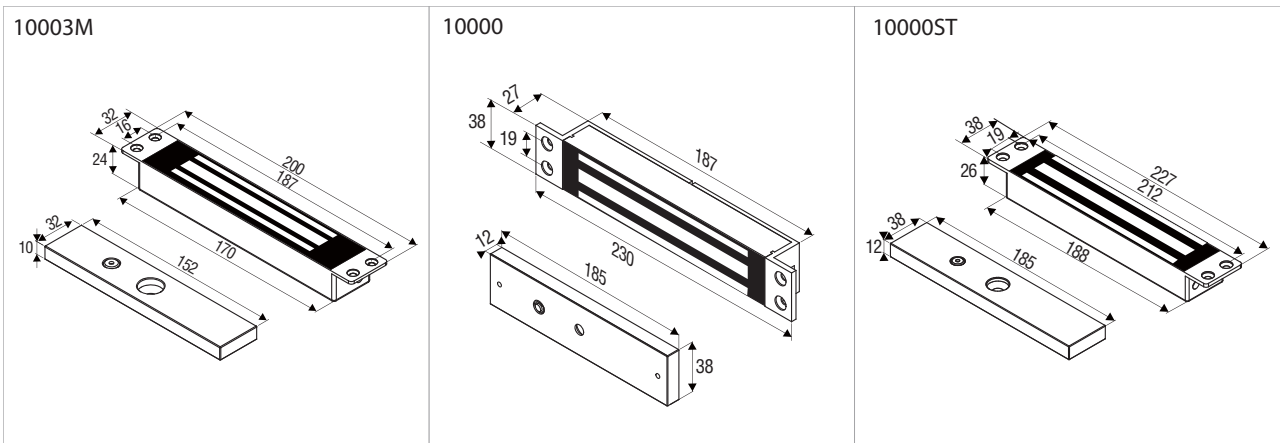
**Notes:**

Standard models are unmonitored

R: Bond sensor (Contacts: NO/COM/NC) – for model 10000, 10000ST

Bond sensor (Contacts: NO/COM) – for model 10003M

## Dimensions



All dimensions in mm

## Installation Diagram

