

Automatic Door Operator

AD500

Convenient, Reliable, Versatile



AD500
Automatic Door Operator



PBT-020B-AD
Operation Controller

Provides easy selection of operation modes. ANSI size. Supplied with back box.



100 to 240
VAC Input

Sliding Arm
Operation

Easy
Access

Application
Versatility

The AD500 automatic swing door operator offers the most simple and convenient solution for residential, commercial, or institutional applications where opening doors manually would be difficult or laborious. Ideal for environments where doors must be opened without contact for hygiene reasons or as disability entrance solutions, such as restrooms, hospitals, labs, or healthcare facilities.

Standard Features

Anodized Aluminum Housing

Constructed of anodized aluminum alloy cover to accommodate interactive components and operating conditions.

Battery Convenience

Can be activated by battery power for continuous operation in case of power failure.

Safety Sensor Integration

Used with door mounted infrared presence sensors for safety.

Electromechanical Design

Operates smoothly and quietly by opening with motor and closing with motor and spring.

Flexible Operation

Available with **Automatic**, **Manual**, **Hold-Open**, and **Push & GO** function which can be internally controlled by switches or externally operated by PBT-020B-AD mode controller.

Adjustable Functions

Simple adjustment of opening and closing speed, hold-open time, backcheck and latchcheck position, and opening angle.

EMC Standard Compliance

EN 61000-3-2, EN 61000-3-3, EN 61000-6-1, EN 61000-6-3, IEC 61000-4-2 ~ IEC 61000-4-6, IEC 61000-4-8, IEC 61000-4-11

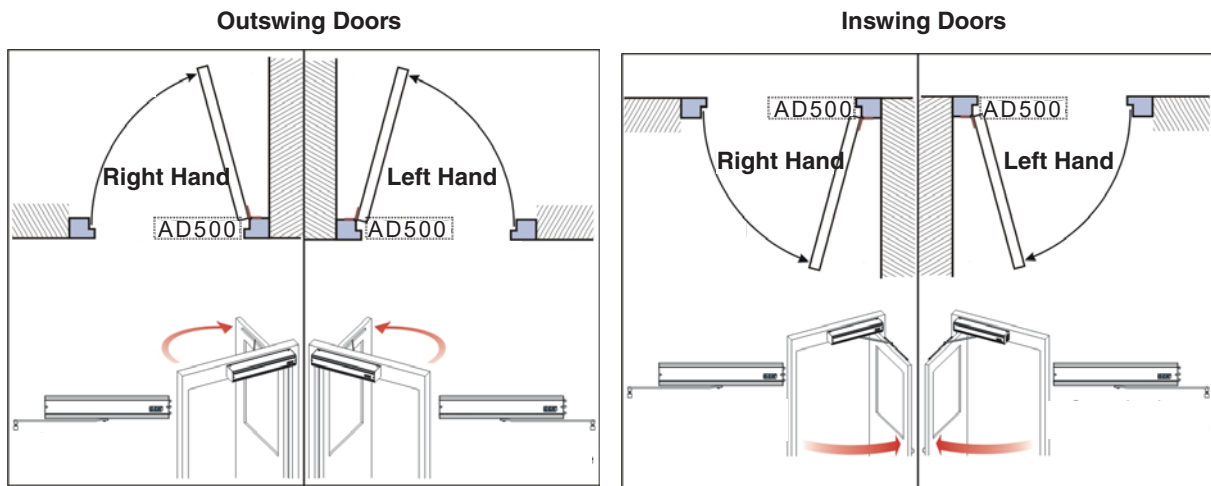


GIANNI INDUSTRIES, INC.

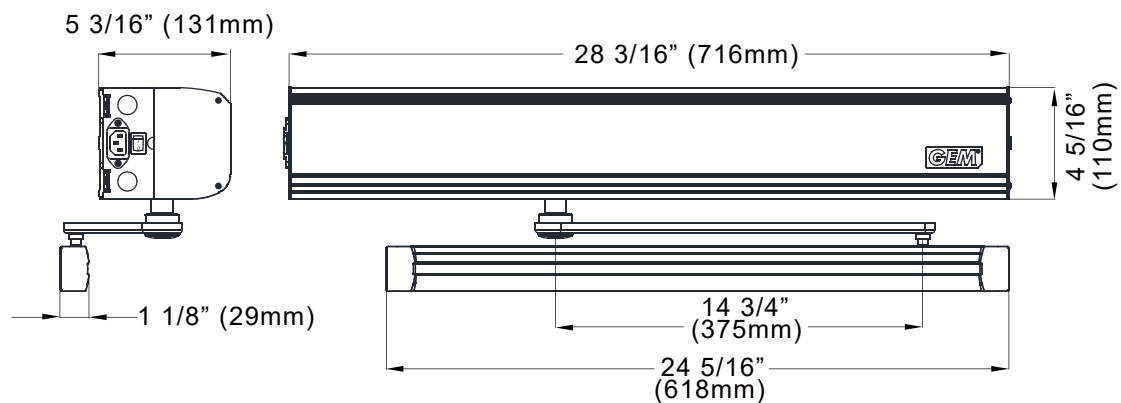
Tel: +886-2-2267-7986 Fax: +886-2-2267-9876
www.gianni.com.tw inquiry1@gianni.com.tw

Non-Handed Installation

Designed with application flexibility in mind, the AD500 is suitable for right or left handed doors and can be installed on either side of the door header for inswing or outswing (push or pull) application.



Dimensions



Specifications

Power Input	Voltage: AC100V~AC240V±10%; Current: 60 VDC, Max. 3.2A,
Motor	60 VDC, 2A Max.
Electric Lock Hardware	24 VDC, 250 mA Max.
Adjustable Timers	Opening Speed, Closing Speed, Backcheck/Latchcheck Position
Standard Control Inputs	Activation, Safety Device Input, 24 VDC Battery Input
Switch Functions	DIP Switches: Automatic, Manual, Push & Go, Hold-Open Time (3, 10, 20, 30 seconds) Power On/Off switch
Operation Controller	Functions: Automatic, Manual, Push & Go, Hold-Open, Activation Dimensions: 79 (W) x 125 (H) x 45 (D) mm (Surface); 79 (W) x 125 (H) x 4 (D) mm (Mortise) Included: Stainless steel faceplate, 3 mm cable, tamper resistant security screws, back box
Door Specs	Maximum Opening Angle: 120° Minimum of Door Width :29 1/2" (750 mm) Door Height: 110 1/4" (280 cm) Door Weight: 60 ~150 kg

Warranty

The product is warranted against defects in material and workmanship while used in normal service for a period of 5 years from the date of sale to the original client. The GEM policy is one of continual development and improvement; therefore GEM reserves the right to change specifications without notice.

Optional Accessory

IR-SSS-5S1

Monitored Infrared Safety Sensor

Features

- Recommended when installing door operators
- Six spot, 800 – 1000 mm, infrared safety curtain with 1 PCB unit
- Easy installation and adjustment
- Safety beams can be focused very close to the ground for maximum safety
- Available in 360 mm length and enclosed in robust housing
- Complies with EN16005 European standard



Operator with IR-SSS-5S1

Infrared safety sensors are used to detect all static and moving objects within their detection range. The **IR-SSS-5S1** safety sensor is designed to provide safety protection for automatic swing doors. It combines the active infrared technology and Position Sensitive Detection (PSD) technology to ensure precise detection. It can be mounted on either the pull or push side of the door and serves as an externally and internally monitored safety system.

Technical Data

Installation Height	2.6m (8.53ft) Max
Detection Method	Infrared Presence Detection with P.S.D. distance measurement
Pattern Adjustment	Beam Angle Adjustment: 5° / 10° / 15° / 20° / 25° Detection Distance Adjustment: Dead Zone, 50-500mm
Detection Range	0 ~ 2.5m (0 ~ 8.2ft) Max
Presence Timer	Infinity
Power Supply	AC/DC 12 ~ 24V ±10%
Power Consumption	AC12V : 1.7VA, AC24V : 2.3VA (per each PCB unit) DC12V : 95mA, DC24V : 55mA
Output Relay	Relay contact: DC50V 0.1A Non Voltage 1C
Dimensions	360mm (W) x 45mm (H) x 45mm (D)
IP Rating	54
Weight	Approx. 350g (0.77 lbs)

AD500 Automatic Door Operator

Single Door Application



1 Automatic Door Operator



AD500

Operates from 100 to 240 VAC

2 Infrared Safety Sensor



IR-SSS-5S1

Six spot, 800-1000 mm wide, infrared safety curtain with 1 PCB unit

3 Electromagnetic Lock



EM-NH300M

Slide-in mounting plate design

4 Electric Dropbolt Lock



EB200NLW-32

Door position sensor and adjustable sensor magnet included

5 Microwave Motion Sensor



MCS-3H-KB02

Large detection area & easy installation

6 Proximity/Keypad Reader



DG-120

ANSI size, 49+50 user digital keypad

DG-120R

ANSI size, 2000 user proximity reader

7 Operation Controller



PBT-020B-AD

Operation mode selector & Activation

8 Exit Button



PBT-925BLED

Illuminated Push Plate Exit Button



LHS-250

Elbow Exit Button