

Digital Keypad System

Standalone DG Series

DG-130L Illuminated Standard Keypad



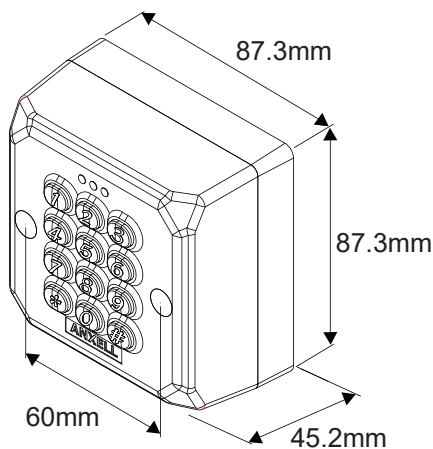
Standard Features

- Red, yellow, green LED indicators and built-in buzzer for status programming feedback
- Backlit keys for better visibility and operation in the dark
- Keypad tamper lockout (Invalid 29 digit code length maximum)
- Adjustable relay output time from 1 to 99 seconds or latching (on/off)
- Flush or surface mounted when used with Euro standard back box /plate
- Non-volatile memory protects programmed information in case of power loss

Specifications

Models	Voltage	Current	Users	PIN Code Digits	Inputs	Outputs	Keypad Housing
DG-130L	12 to 24 VDC	60mA Pull-in, 15mA Holding at 12 VDC	50	4	1 REX input	1 Relay (NC/COM/NO) 0.4A/120VAC, 2A/30VDC	Navy blue plastic ABS

Dimensions



Warranty

The product is warranted against defects in material and workmanship while used in normal service for a period of 1 year from the date of sale to the original client. The GEM policy is one of continual development and improvement; therefore GEM reserves the right to change specifications without notice.

