

Door Latches

Innovative, Flexible, Secure



LS-1802GF



LS-2200



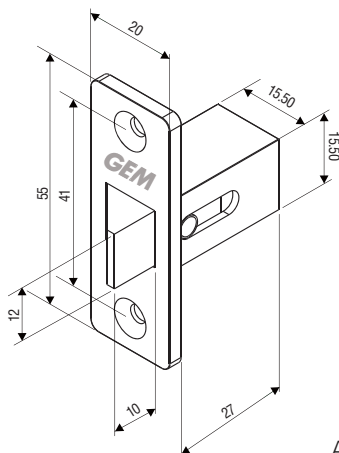
LS-3500/3600

GEM door latches are compatible with all GEM electric strikes and are ideal for securing auxiliary doors, such as dutch doors, communicating doors, or closet doors. The LS-3500/3600 can be used with an operating device for convenience. Designed with an auxiliary deadlatch, the LS-3500/3600 also provides security and privacy in a variety of applications.

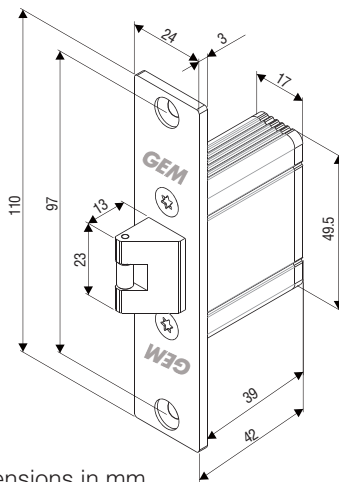
Models	Latch	Deadlatch	Strike	Operating Device	Door Type	Construction	
						Faceplate	Body
LS-1802GF	Stainless steel latchbolt	—	—	—	Wood	Zinc alloy	Zinc alloy
LS-2200	Anti-friction, stainless steel roller latchbolt	—	—	—	Wood	Stainless steel	Aluminum alloy
LS-3500	Reversible, stainless steel latchbolt	•	•	Knob, Lever, Thumb turn	Wood	Square corner, Stainless steel	Zinc alloy
					Hollow metal	Round corner, Stainless steel	
LS-3600	Reversible, stainless steel latchbolt	•	•	Cylindrical Knob/Lever	Wood	Square corner, Stainless steel	Zinc alloy
					Hollow metal	Round corner, Stainless steel	

Dimensions

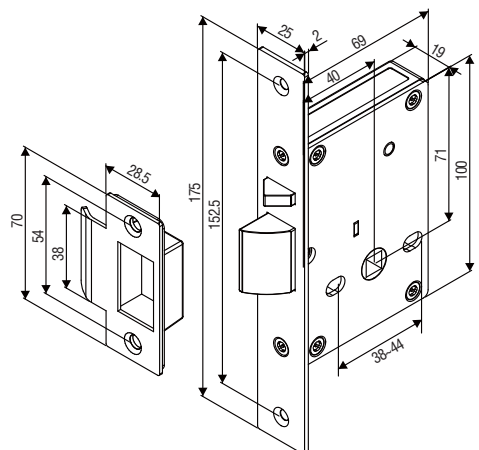
LS-1802GF



LS-2200



LS-3500/3600 (Backset:40mm)



All dimensions in mm

Warranty

The product is warranted against defects in material and workmanship while used in normal service for a period of 1 year from the date of sale to the original customer. The GEM policy is one of continual development and improvement; therefore GEM reserves the right to change specifications without notice.