

Electric Strikes

GK1480 Series

Durable Strike for Glass Door Application



Horizontal faceplate adjustment compensates for misalignment

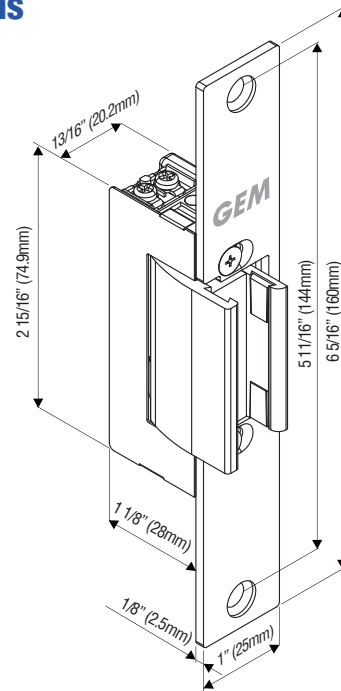


The GK1480 series electric strike is designed for use on full glass doors. It is reversible for right or left handed doors and can be installed at the top and side of the door.

Standard Features

- Easy installation
- 12 or 24 VDC
- Non-handed
- Fail-safe (For GK1480) or Fail-secure (For GK1481)
- For 10 mm or 12mm thick glass doors
- Includes black shims for 10mm thick glass door application
- Brushed stainless steel (US32D) finish
- Zinc alloy construction
- Horizontal faceplate adjustment compensates for misalignment

Dimensions



Warranty

The product is warranted against defects in material and workmanship while used in normal service for a period of 3 years from the date of sale to the original client. The GEM policy is one of continual development and improvement; therefore GEM reserves the right to change specifications without notice.