

Electric Strikes

GK300 Series

Durable, Versatile Strikes for Residential and Business



The GK300 series ANSI electric strikes are designed for use with cylindrical locksets. It can be fitted to a wide range of applications and is field reversible for fail-safe or fail-secure operation.

Standard Features

- Non-handed fully reversible
- Field reversible fail-safe or fail-secure
- Static strength: 1,000 lbs (454Kg)
(GK360, GK370: 1,500 lbs (680 kg))
- Dynamic strength: 50 ft-lbs
(GK360: 70 ft-lbs)
- Endurance rating: 250,000 cycles UL tested,
1,000,000 cycles factory tested
- Brushed stainless steel (US32D) finish
- Latch monitor (For models with M suffix)

Patents, Approvals, and Listings

- UL1034 burglary-resistant listed:BP10269
(Except GK320, GK321, GK350, GK370 related models)
- UL 294 Access Control System listed:BP10269
(Except GK320, GK321, GK350, GK370 related models)
- UL 10B/10C Positive Pressure Fire Test
of Door Assemblies (GK360-ST Dual 12/24 series)
- CE: EC741012-01
- Patent: Australia - 2018101170 (GK360)



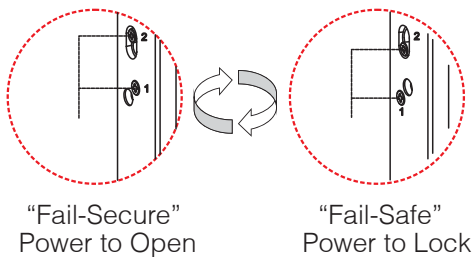
GK300 Series ANSI Electric Strikes

Models	UL	Voltage (VDC)	Current Draw	Latch Throw	Latch Monitor	Reversible Fail-Safe Or Fail-Secure	Frame	Mount	Body Construction
GK300	SECURITY UL LISTED	12, 24, or dual 12/24	280mA/12VDC or 140mA/24VDC 300mA/12VDC, 150mA/24VDC	9/16" (15mm)	Optional	●	Hollow Metal	Mortise	Zinc alloy
GK300-ST					Optional	●	Hollow Metal	Mortise	Stainless steel
GK301					Optional	●	Wood	Mortise	Zinc alloy
GK301-ST					Optional	●	Wood	Mortise	Stainless steel
GK310					Optional	●	Hollow Metal	Mortise	Zinc alloy
GK310-ST					Optional	●	Hollow Metal	Mortise	Stainless steel
GK311					Optional	●	Wood	Mortise	Zinc alloy
GK311-ST					Optional	●	Wood	Mortise	Stainless steel
GK320					-	250 mA/12 VDC, 150 mA/24 VDC	3/4" (19mm)	Optional	●
GK321	Optional	●	Wood	Mortise				Zinc alloy	
GK350	Optional	●	Hollow Metal Wood	Surface				Aluminum alloy	
GK360	SECURITY UL LISTED	Dual 12/24	300mA/12VDC, 150mA/24VDC	3/4" (19mm)	Optional	●	Hollow Metal	Mortise	Zinc alloy
GK360-ST					Optional	●	Hollow Metal	Mortise	Stainless steel
GK361					Optional	●	Wood	Mortise	Zinc alloy
GK361-ST					Optional	●	Wood	Mortise	Stainless steel
GK370	-	Dual 12/24	300mA/12VDC, 150mA/24VDC	9/16" (15mm)	Optional	●	Hollow Metal	Mortise	Zinc alloy
GK370-ST					Optional	●	Hollow Metal	Mortise	Stainless steel

Changing Fail-Safe or Fail-Secure

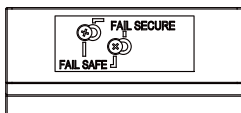
Fail-safe or Fail-secure is field reversible by changing the position of screws.

Moving screws to fail-safe/fail-secure position

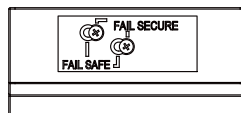


Changing screw position at fail-safe/fail-secure hole
(For GK360, GK370)

Fail-Safe:

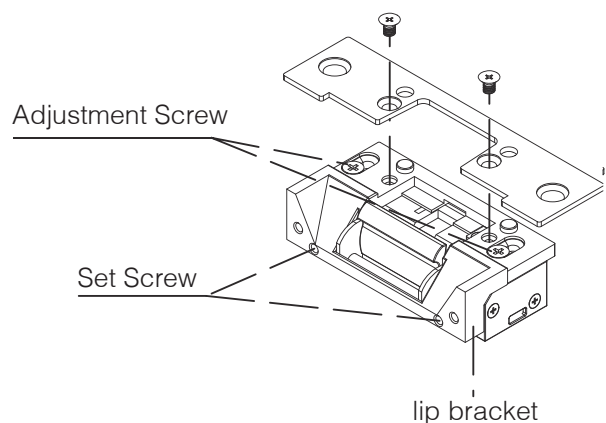


Fail-Secure:



Horizontal Adjustment (For GK370 Only)

Loosen the adjustment screws and shift the lip bracket to the proper horizontal position (7 mm range adjustable). Tighten the adjustment screws and secure the lip bracket with the set screws.





GK300/GK300-ST
1 3/4" (45mm) keeper width



GK301/GK301-ST
1 3/4" (45mm) keeper width



GK310/GK310-ST
1 7/16" (36mm) keeper width



GK311/GK311-ST
1 7/16" (36mm) keeper width



GK320
1 7/16" (36mm) keeper width



GK321
1 7/16" (36mm) keeper width



GK350
1 9/16" (40mm) keeper width



GK360/GK360-ST
1 7/16" (36mm) keeper width

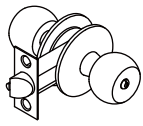


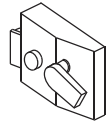


GK361/GK361-ST
1 7/16" (36mm) keeper width



GK370
1 7/16" (37mm) keeper width

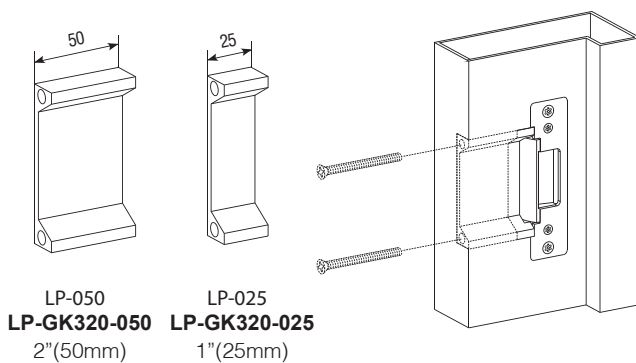
Lockset Application (Note: Lockset is Not sold with electric strike model.)

Electric Strike Models	Locksets
GK300, GK301, GK310, GK311, GK320, GK321 GK360, GK361 GK370	Cylindrical Lockset with center lined latchbolt 
GK310, GK311, GK320, GK321 GK360, GK361	GEM-470R/470L (Mortise Deadlatch) Lockset with center lined latchbolt 
GK320, GK321	Mortise Mortise lockset without a deadbolt 
GK350	Night Latch Rim lockset 

*Above models include model number with or without the "M" and/or "ST" suffix.

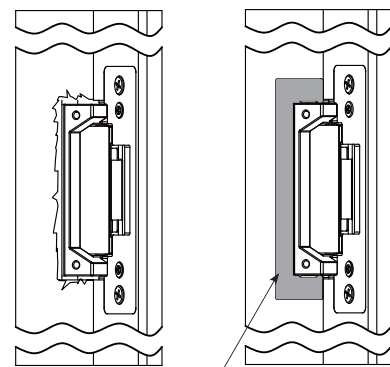
Accessories

Lip Extensions (Option)



Lip extensions are provided to meet the needs of a particular jamb width.

Trim Plate

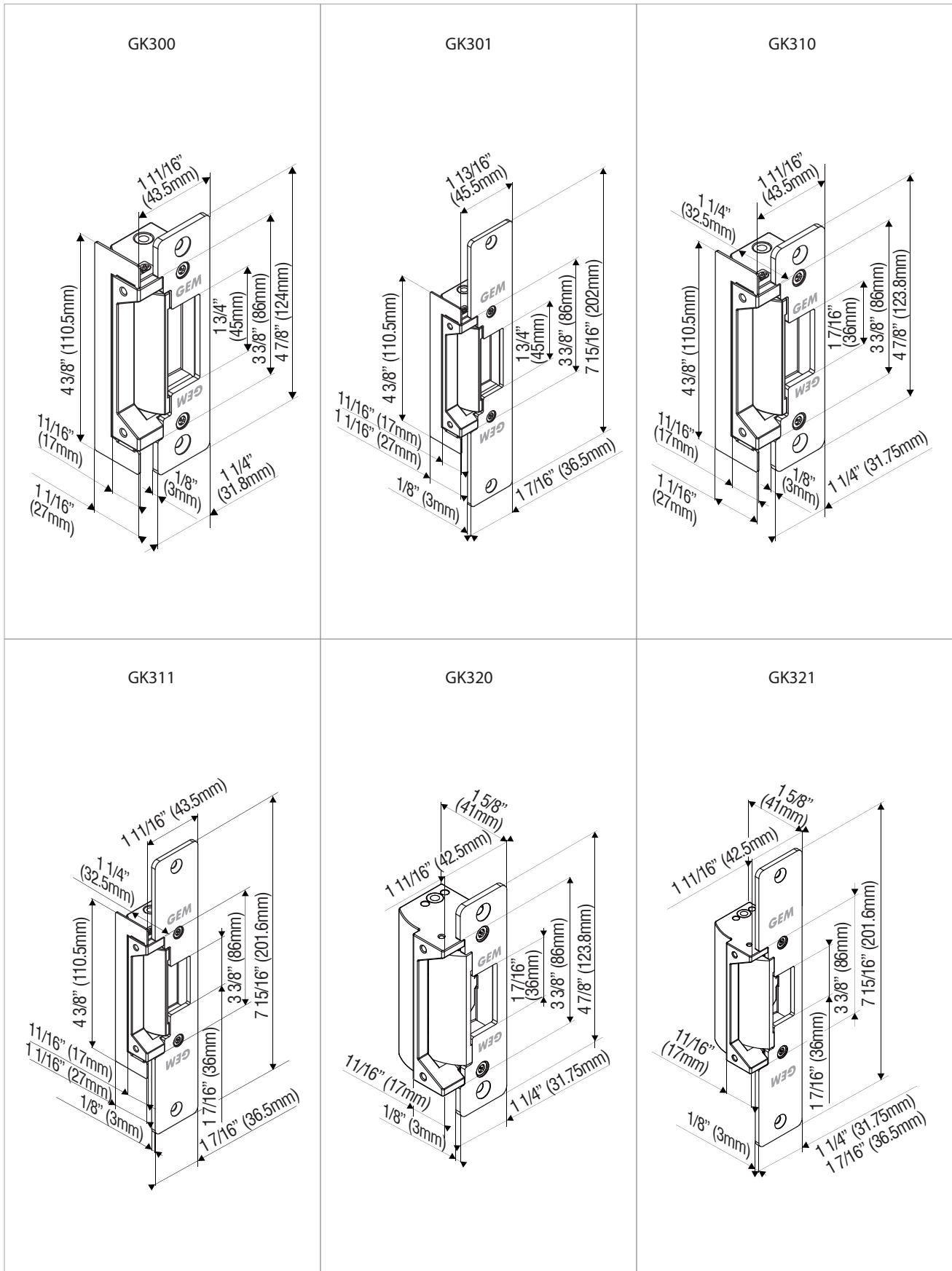


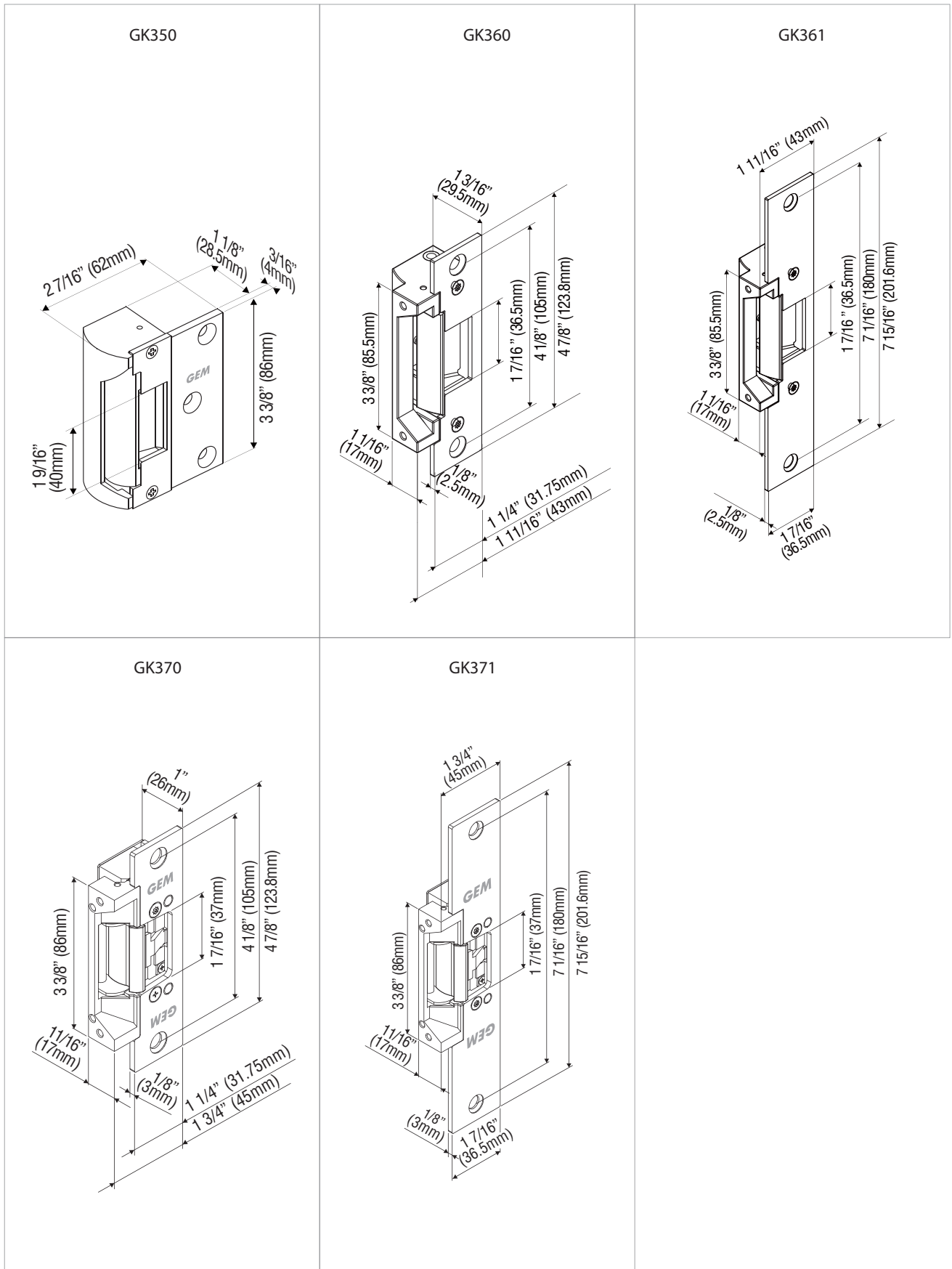
Trim plate

Trim plate is used to cover any imperfections caused while prepping the frame cut out.

* All GK300 series includes a trim plate except GK320, GK321, GK370 (with or without M suffix).

Dimensions





Warranty

The product is warranted against defects in material and workmanship while used in normal service for a period of 3 years from the date of sale to the original client. The GEM policy is one of continual development and improvement; therefore GEM reserves the right to change specifications without notice.