

Electric Strikes

GK450/480 Series

Durable, Versatile Strikes for Residential and Business



The GK450/480 series ANSI electric strike is designed for use with cylindrical locksets and mortises locksets without a deadbolt and can be installed in metal and wood door frames. It includes an optional latch monitor and is field reversible for fail-safe or fail-secure operation. The GK485 features 1/8" (3mm) horizontal strike adjustment to accommodate different installations.

Standard Features

- Non-handed fully reversible
- Field reversible fail-safe or fail-secure
- Static strength 1,500 lbs (680Kg)
- Dynamic strength 70 ft-lbs
- Endurance 100,000 cycles UL tested, 1,000,000 cycles factory tested
- Brushed stainless steel (US32D) finish

Optional Feature

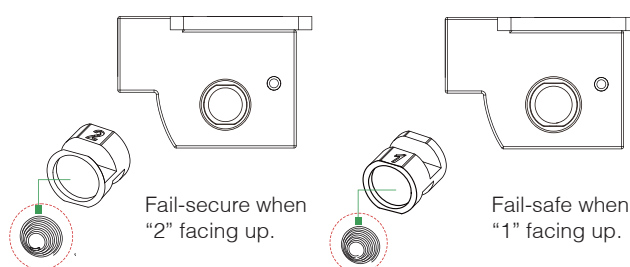
- Latch monitor

Patents, Approvals, and Listings

- UL 1034 burglary resistant listed : BP10269
- UL 294 Access Control System listed: BP10269

Changing Fail-Safe / Fail-Secure

Fail-safe or fail-secure is field reversible by reversing the round screw.

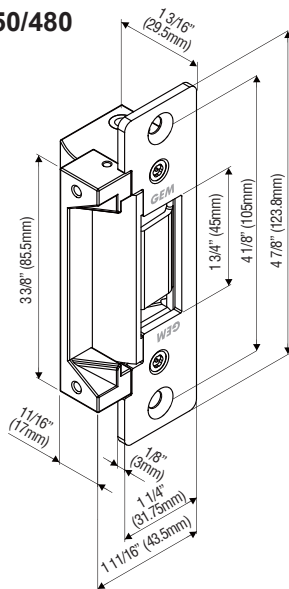


GK450/480 Series ANSI Electric Strikes

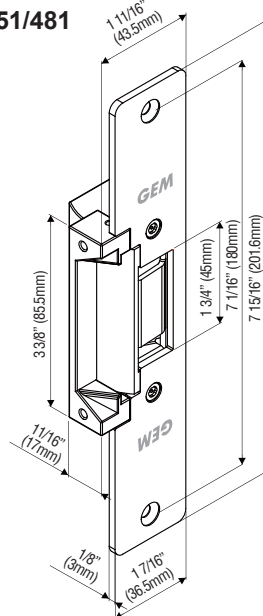
| Models | Voltage (VDC) | Current Draw | Latch Throw | Optional Latch Monitor | Reversible Fail-Safe Or Fail-Secure | Frame | Body Construction |
|---------------------------------|-----------------------|--|--------------|------------------------|-------------------------------------|--------------|-------------------------------|
| GK450 GK450-ST | 12, 24, or dual 12/24 | 250mA/12VDC or 150mA/24VDC 300mA/12VDC, 150mA/24VDC | 9/16" (15mm) | ● | ● | Hollow Metal | Zinc alloy Stainless steel |
| GK451 GK451-ST | 12, 24, or dual 12/24 | 250mA/12VDC or 150mA/24VDC 300mA/12VDC, 150mA/24VDC | 9/16" (15mm) | ● | ● | Wood | Zinc alloy Stainless steel |
| GK480 GK480-ST | 12, 24, or dual 12/24 | 250mA/12VDC or 150mA/24VDC 300mA/12VDC, 150mA/24VDC | 3/4" (19mm) | ● | ● | Hollow Metal | Zinc alloy Stainless steel |
| GK481 GK481-ST | 12, 24, or dual 12/24 | 250mA/12VDC or 150mA/24VDC 300mA/12VDC, 150mA/24VDC | 3/4" (19mm) | ● | ● | Wood | Zinc alloy Stainless steel |
| GK485 | Dual 12/24 | 300mA/12VDC, 150mA/24VDC | 3/4" (19mm) | ● | ● | Hollow Metal | Zinc alloy |

Dimensions

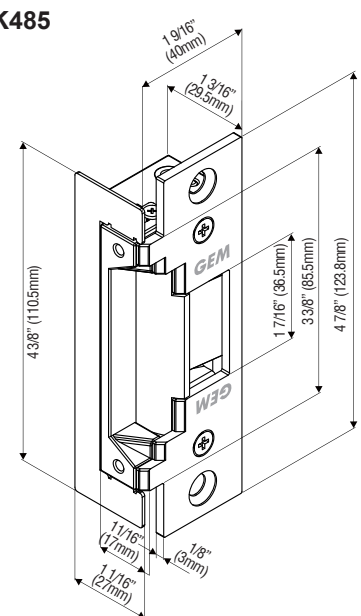
GK450/480



GK451/481

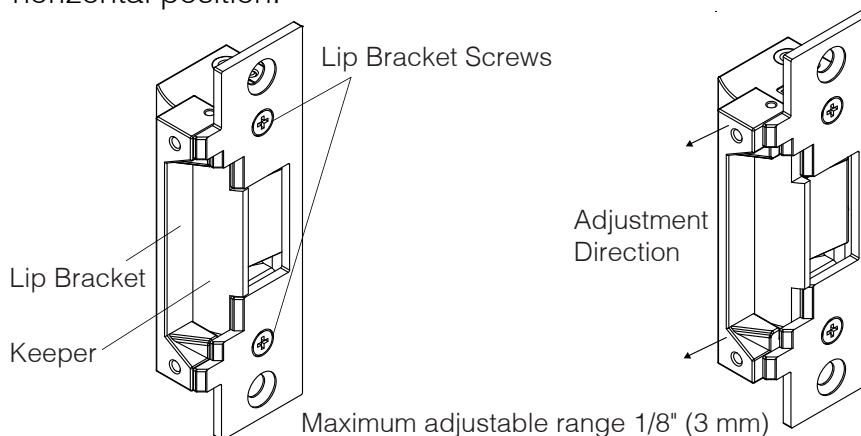


GK485



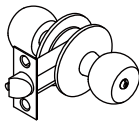
Strike Adjustment (For GK485M Only)

Adjust strike easily on site by loosening screws and shifting the lip bracket along with the keeper to the proper horizontal position.



Lockset Application

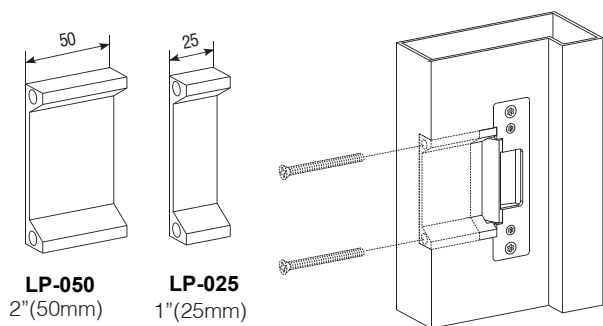
(Note: Lockset is Not sold with electric strike model.)

| Electric Strike Models | Locksets |
|--|---|
| GK450, GK480, GK451, GK481, GK485, GK486 | <p>Cylindrical Lockset with center lined latchbolt</p>  |

*Above models include model number with or without the "M" and/or "ST" suffix.

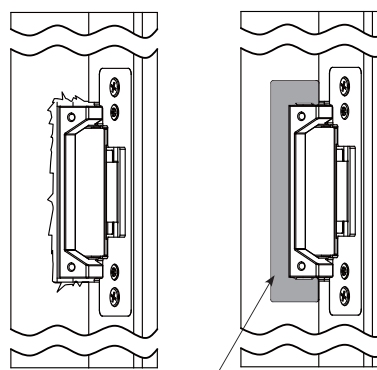
Accessories

Lip Extensions (Option)



Lip extensions are available to meet the needs of a particular jamb width.

Trim Plate



Trim plate

Trim plate is used to cover any imperfections caused while prepping the frame cut out.

Warranty

The product is warranted against defects in material and workmanship while used in normal service for a period of 3 years from the date of sale to the original client. The GEM policy is one of continual development and improvement; therefore GEM reserves the right to change specifications without notice.