

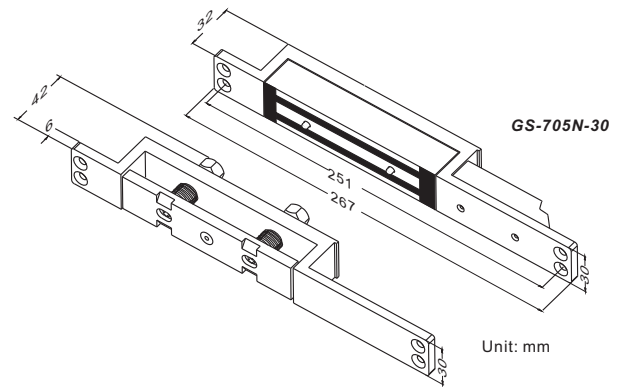


● Specification

- Operating Voltage: 12/24VDC
- Current Draw: 420mA/12VDC; 210mA/24VDC (at temperature 20°C)
- Bond sensor output SPDT rated: 0.5A/125VAC, 1A/24VDC
- Operating Temperature: -30~55°C
- Humidity: 0~95% non-condensing
- Shear holding Force: Up to 1200lbs (545kg)
- The Gap between the Lock and Armature plate is 2mm
- Special Finishes for magnet and armature plate: Zinc Plated
- Epoxy Potting Compound: E87252(S), UL94V-0
- Net Weight: 1.8Kg

● Features

- **Powerful shear holding force provides high security.**
- **Compatible with double swinging doors.**
- **Special designed appearance can be easily fitted to any buildings.**
- **Special Armature Plate track design enables the Shear Lock to bind and lock with Armature Plate more easily.**
- **Suitable for installation on narrow doors**
- **Horizontal or vertical installation.**
- **Dual voltage 12 or 24 VDC (selectable).**
- **Anti-Residual magnetism function.**



● Statement

GS705N-30 Shear Lock works by anchoring the lock bolt to the keep hole on the Armature Plate. It provides up to 1200 pounds of shear holding force and is mortise mounted in aluminum, wooden and steel doors, enhancing aesthetic appearance. It is suitable for double-swing and sliding doors. The locks feature fail-unlocked (fail-safe) version, permitting free access and egress, in the event of power or system failure.

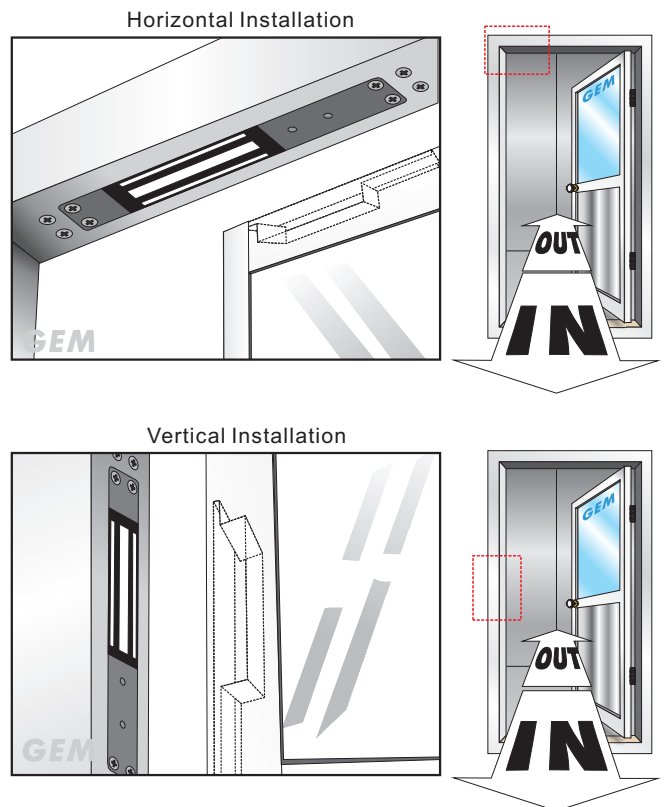
● Patent

- GB 2400626 (Great Britain)
- 2854190 (France)
- 2003100306 (Australia)
- 219858 (Taiwan)
- Nr.203 06 200 .0 (Germany)
- ZL 03 2 45413.9(China)

● Warranty

The product is warranted against defects in material and workmanship while used in normal service for a period of 5 years from the date of sale to the original customer. The GEM policy is one of continual development and improvement; therefore GEM reserves the right to change specifications without notice.

● Application



GIANNI INDUSTRIES, INC.