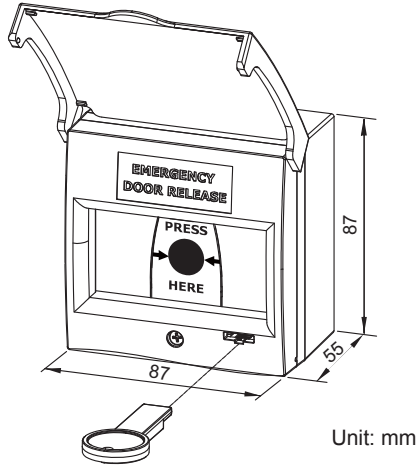


CP-31GP SERIES BREAK PLASTIC GLASS CALL POINT INSTRUCTIONS

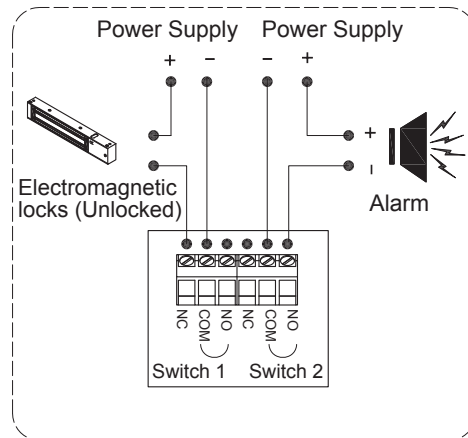
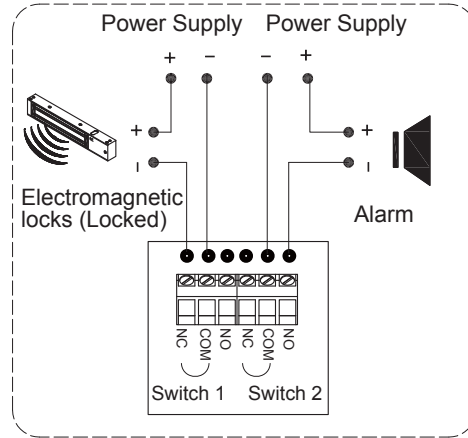
Specifications:

Dimensions: 87x87x55 mm
 87x93x55 mm (Included Cover)
 Contact Resistance: 100mΩ
 Switch Rated: 5A 125/250 VAC

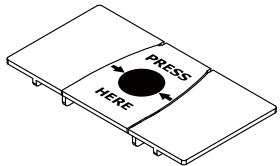


Unit: mm

Applications:

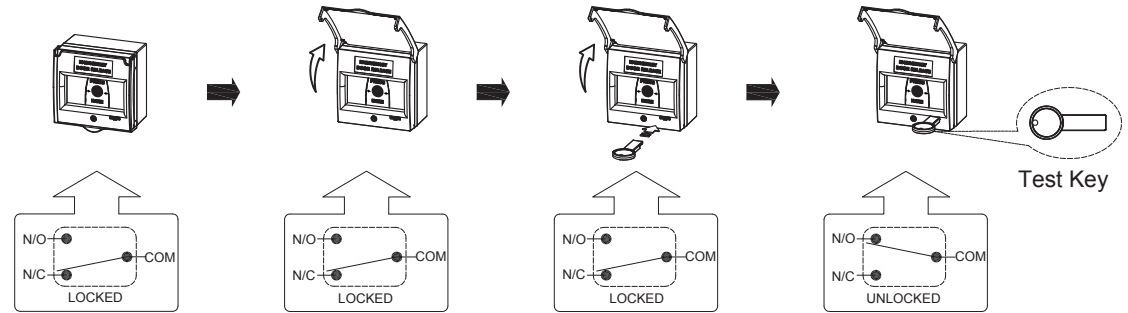


(OPTIONAL)



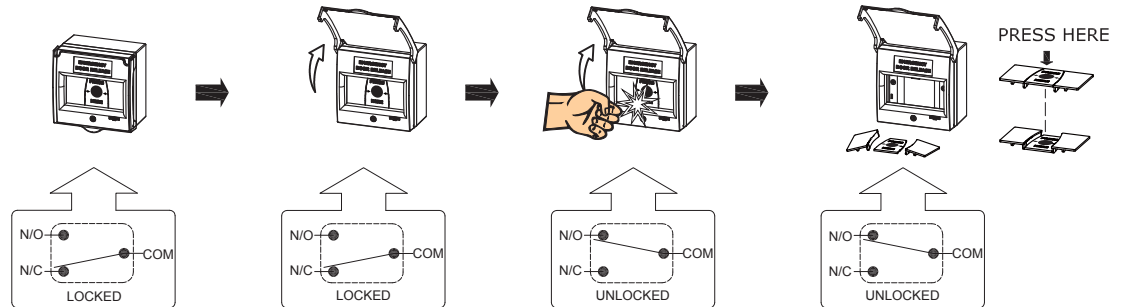
Model: CP-31-PL
 (Plastic Glass: 4-piece Replacements)

Test Methods:



Take the clear cover off. Insert test key into the test hole, so that plastic glass will tilt to one side, switch contact will then change from NC to NO status. When completed, remove the test key, so that it reverses back to the NC status.

Emergency Use:



Instructions:

Take the clear cover off. Press off to break the plastic glass before releasing the switch contacts. When the switch contact changes from the NC into NO status, the connecting device is triggered.

※ After removing the screws on the top box, the plastic glass (CP-31-PL) can be replaced, so that it reverses back to the NC status.