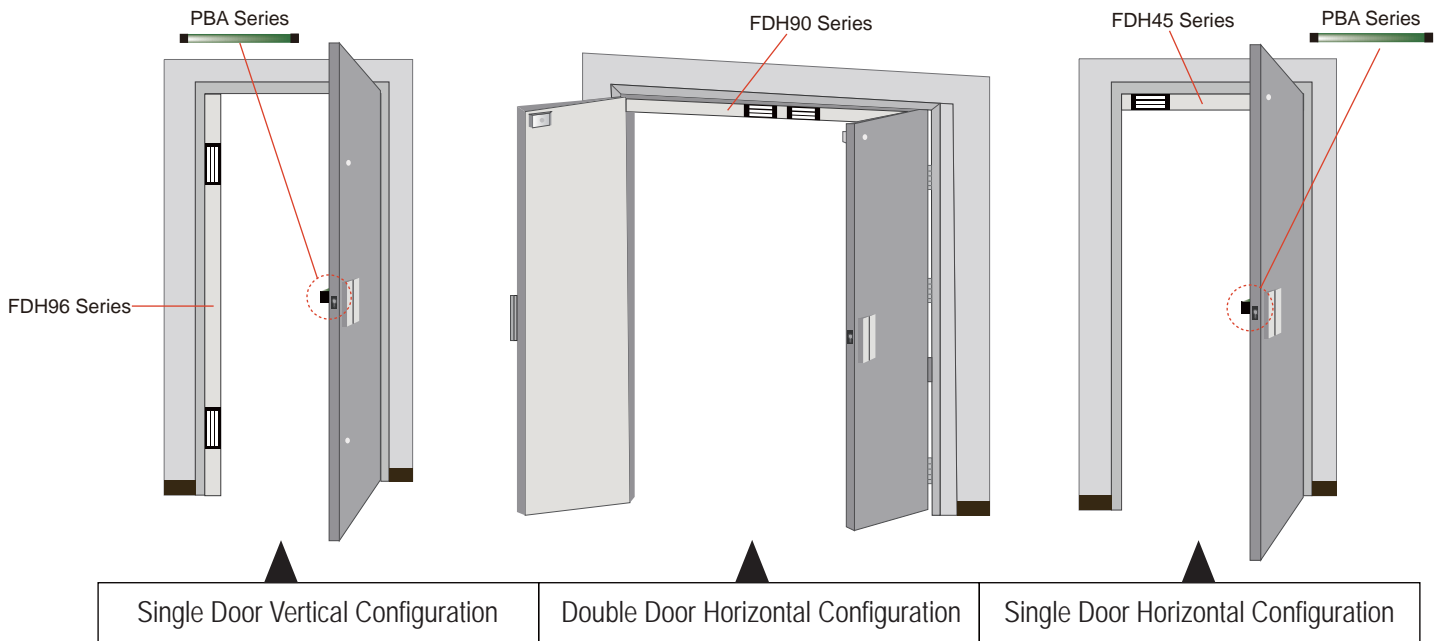


FDH SERIES of FULL LENGTH LOCK HOUSING MODELS

INSTALLATION INSTRUCTIONS

A DESCRIPTION

GEM's full length Magnetic Lock housings are furnished complete with two "L Shape" Aluminum Alloy finishing covers. These housings are offered in three configurations:



Single Door Vertical Configuration

Double Door Horizontal Configuration

Single Door Horizontal Configuration

B OVERVIEW

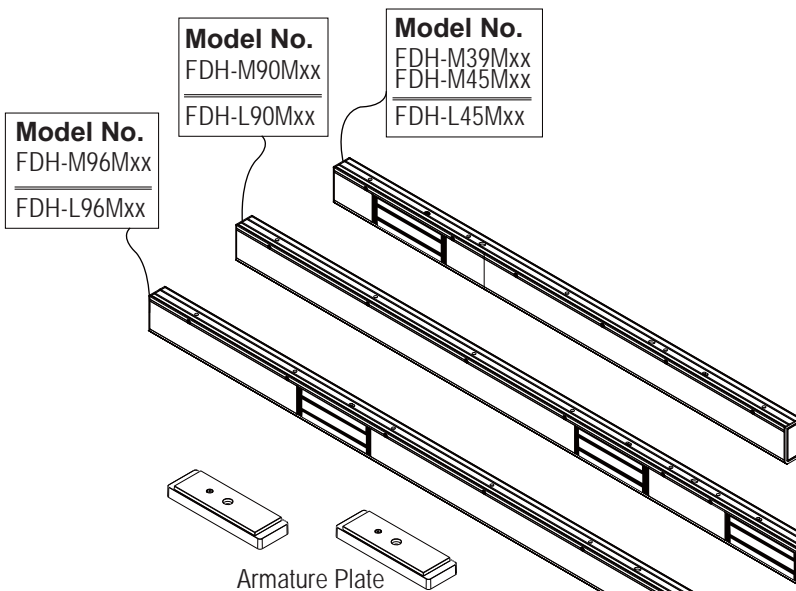
FDH Series FULL LENGTH LOCK HOUSING MODELS are equipped with a baseboard, and a security cover. Based on sizes of the doors, or the opening range, you may trim at your own discretion. These will enhance access control security and maintain the aesthetic appearance of the door as well.

(Upon unpacking, an inventory should be made to ensure that all the required components and hardware have been included. Along with these instructions, the FDH Series of Full Length Lock Housing package should contain the following items.)

Screw Package Components:

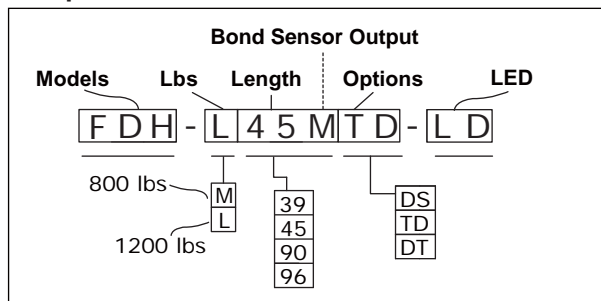
Hexagon Keys (5mm) x 1	Blind Nut Set (6x35mm) x 1	Blind Nut (6mm) x 4
Guide Pins (5x16mm) x 2	Sexnut Bolt (12.5x41mm) x 1	Allen Flat Head (8x35mm) x 1
Rubber Washer (14x30x4mm) x 1	Phillips Flat Head (5x32mm) x 6	Socket Head Cap (6x16mm) x 5

Above are one set of screw package. (Included 2 sets of screw package for the single door, and a total of 4 sets of screw package for the double door.)



Armature Plate

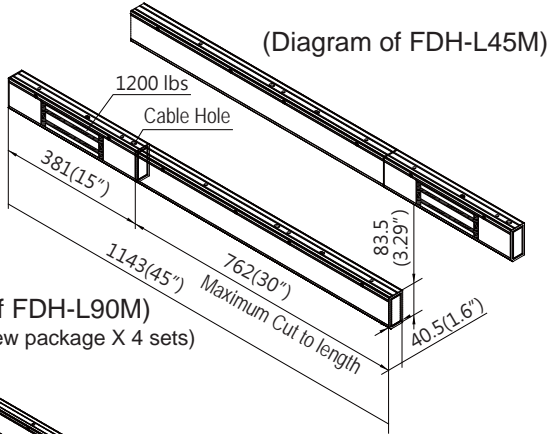
Sample Model:



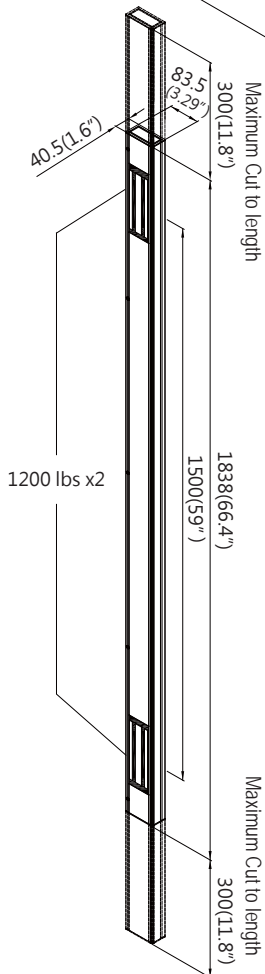
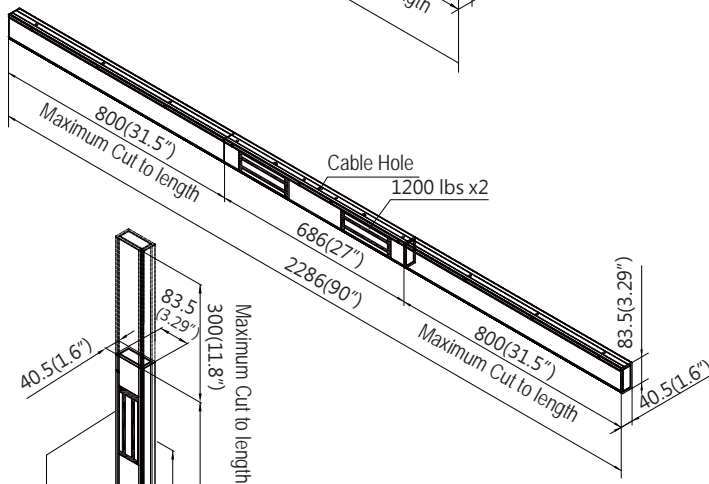
Screw Package x 2 sets

C INSTALLATIONS

1. Unpack the FDH housing. Before disassembling, position the unit into its intended position to verify that it is the correct length/height for the door opening. For the dual Magnetic Lock models (FDH-M96M, FDH-L96M, FDH-M90M & FDH-L90), the lock locations are equally spaced to each side of center of the housing as shown.
2. If the FDH housing exceeds the intended position, you may trim at your own discretion. Below please review all diagrams showing the recommended length.



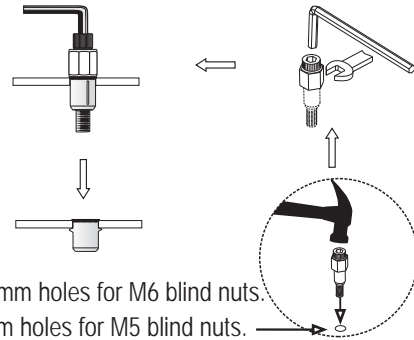
(Diagram of FDH-L90M)
(Included Screw package X 4 sets)



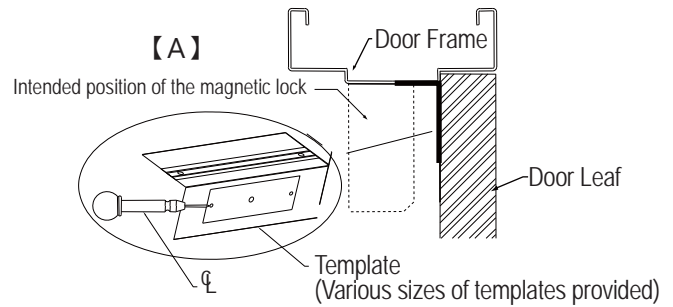
(Diagram of FDH-L96M)

3. For the Dual Lock Double Door, or Dual Lock Single Door models, use the included Blind Nuts to stabilize the positions of the holes on the baseboard.

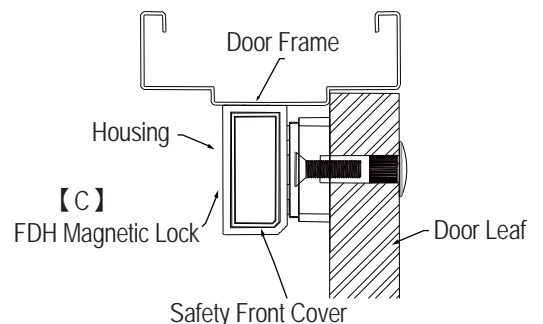
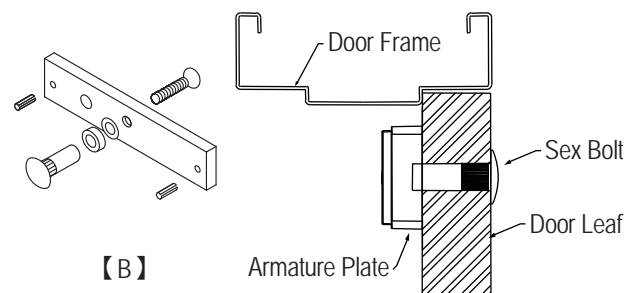
※ Blind Nut Applications



4. Diagram **【A】**, mark the median point between the magnetic lock and the door frame. Align alongside the armature plate and template to drill and mount onto the desired locations.



5. Diagram **【B】**, reference the illustrated drawings. Once the armature plates are correctly secured, install the cover and the baseboard tightly to the door frame. Mark the corresponding point of the permanent attachment hole, as well as the wiring hole to ensure the final fixation and the running of wires. See below diagram **【C】**.



Warranty Statements:

FDH Series in normal service for a period of 5 year from the date of sale to the original customer. Misuse with defects resulting from improper operations or neglects such as physical damage to the surface of the product & unauthorized Modification damages from adjustment are excluded from the warranty coverage. GEM reserves the right to amend the specifications of the FDH series, as well as within the installation manual, but will not notify the users accordingly.