

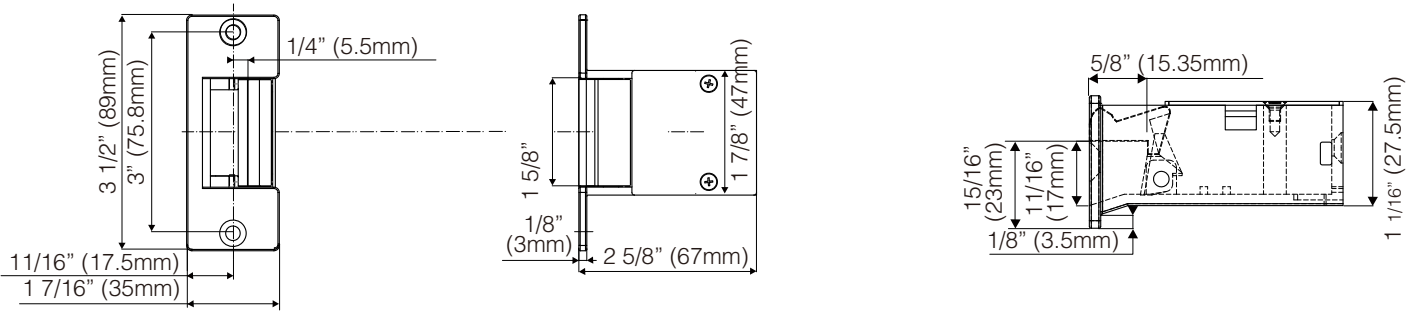
GK200 Series Electric Strike Installation Instructions

Features

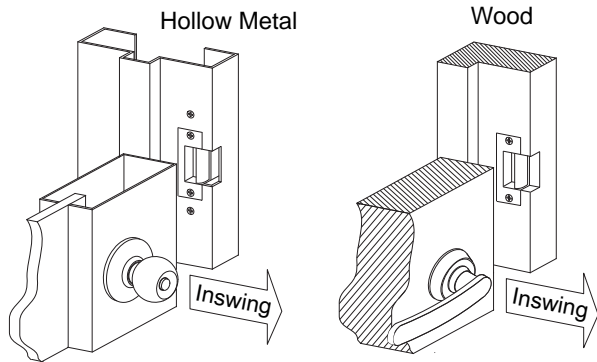
- Secure, economical and durable solution for gates
- Water drainage function for gates or semi-outdoor applications
- One piece cast zinc alloy construction
- Use with bored cylindrical locksets or GEM LS-2200 door latch

Specifications

- Voltages: 12 or 24 VDC Continuous, or 12 or 24 VAC Intermittent Duty, 3~6 VDC, 8~16 VAC Intermittent Duty (Intermittent use: Not to exceed 10 seconds) (Continuous use: For a longer period of 10 seconds to indefinite)
- Operating Temperature: -10°~49°C (14~120°F)
- Humidity: 0~85% non-condensing
- Latch Throw: 9/16" (15mm)
- Cycle Test: 250,000+ cycles
- Fail-secure
- Keeper Width: 1 5/8" (41mm)
- Static Strength: 1,000 lbs (454Kg)
- Finish: Silver or Brass
- Weight: 343g

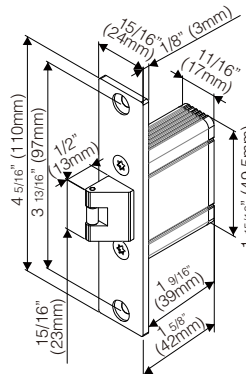


Frame Applications

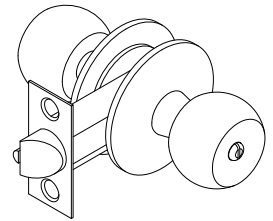


Compatible Locks

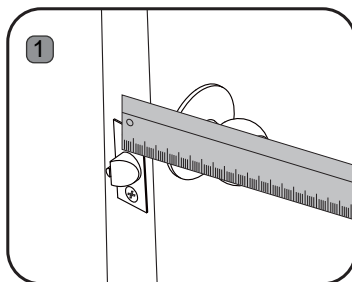
GEM LS-2200 Door Latch (Sold separately)



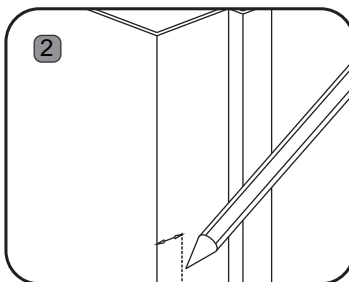
Cylindrical Lock



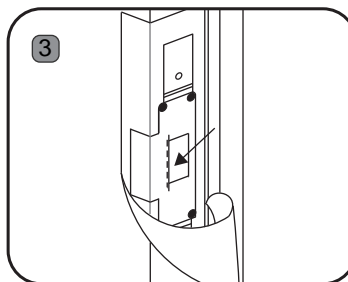
Electric Strike Installations



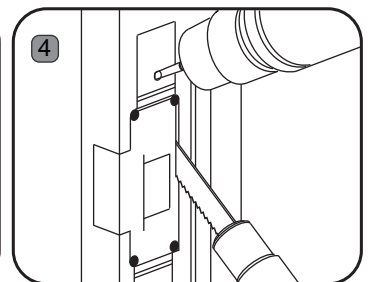
Measure latch position



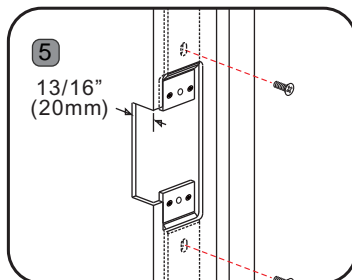
Mark latch position line



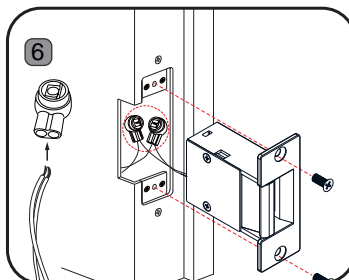
Attach sticker template to the marked center line



Drill and cut the frame according to the template



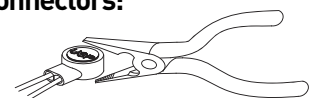
Attach mounting tabs if needed



Connect the wires using the crimp connectors, then test the strike, ensure you give it correct voltage

Installing the Crimp Connectors:

Crimp connectors are provided to make wiring connections easier and more reliable. To install the connectors:



1. Insert the wires into the connector.
2. Use a crimping tool or pliers to evenly press down on the head of the connector.