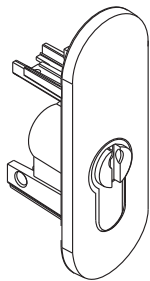
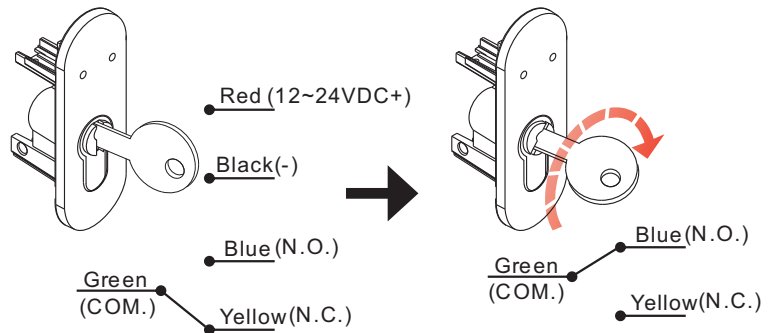


General Purpose Key Switch

KS-900 Series

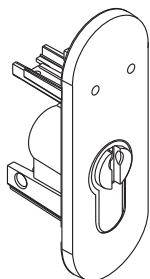
Statement

Key Switches are installed in secure locations outside, in parallel or series connection with the power supply and the electromagnetic lock. If the electromagnetic lock cannot be opened due to failure of the proximity reader or other incidents, the user can switch between normally closed (N.C.) and normally open (N.O.) contacts by the key, forcing the door to open. This acts as a backup to access control systems.



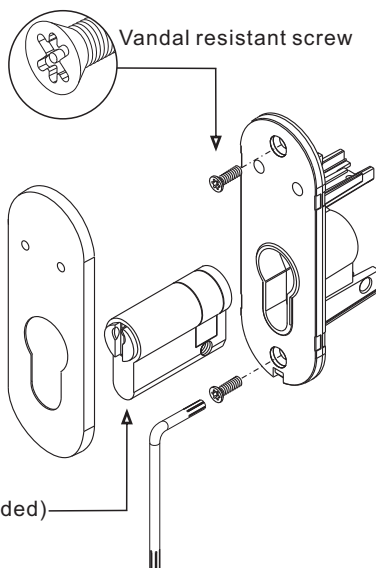
KS-900 / KS-910

Maintained DPDT: KS-900
Momentary DPDT: KS-910
Mortise mount key switch. Surface mount back box is available upon request.



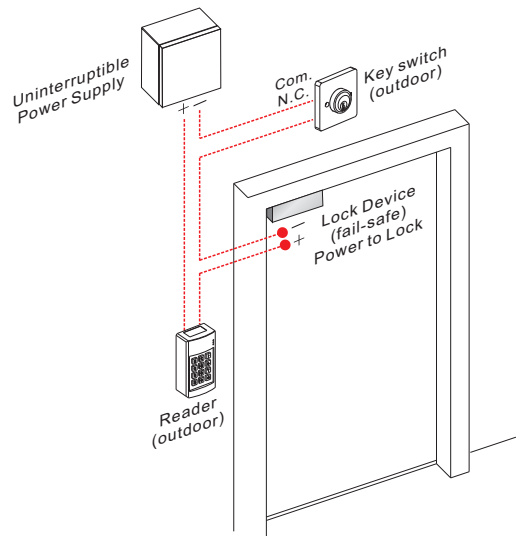
KS-900LD / KS-910LD

Maintained SPDT: KS-900 LD
Momentary SPDT: KS-910 LD
LED indicator



Application

The connection for fail-safe lock devices :



The connection for fail-secure lock devices :

