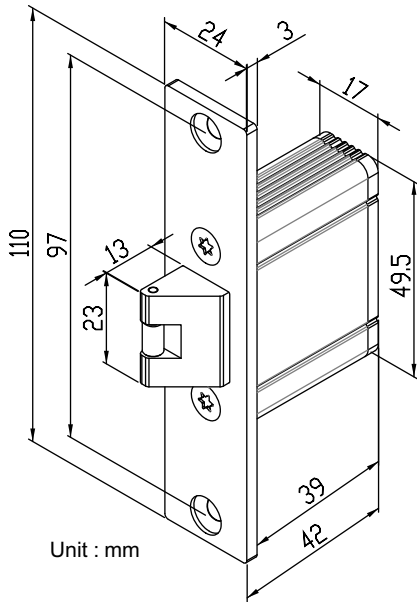
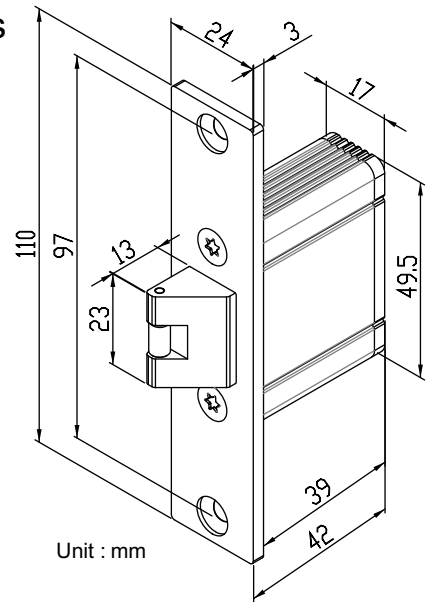


● Dimensions



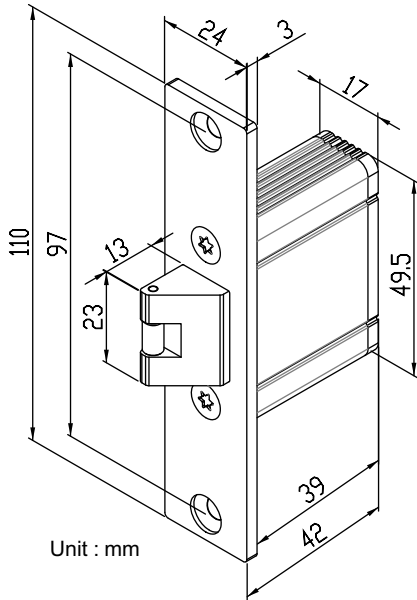
Copyright © 2011 Glianni Industries, Inc. All rights reserved.
P-MU-LS-2200-DIM Ver. A Publish: 2011.10.24

● Dimensions



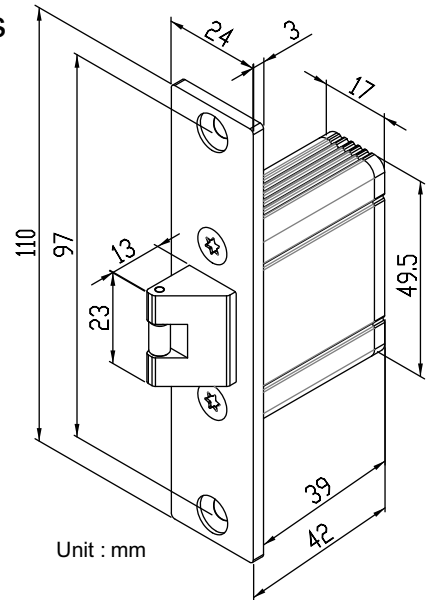
Copyright © 2011 Glianni Industries, Inc. All rights reserved.
P-MU-LS-2200-DIM Ver. A Publish: 2011.10.24

● Dimensions



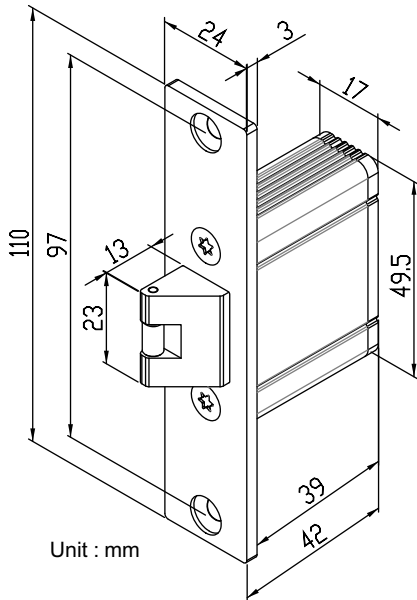
Copyright © 2011 Glianni Industries, Inc. All rights reserved.
P-MU-LS-2200-DIM Ver. A Publish: 2011.10.24

● Dimensions



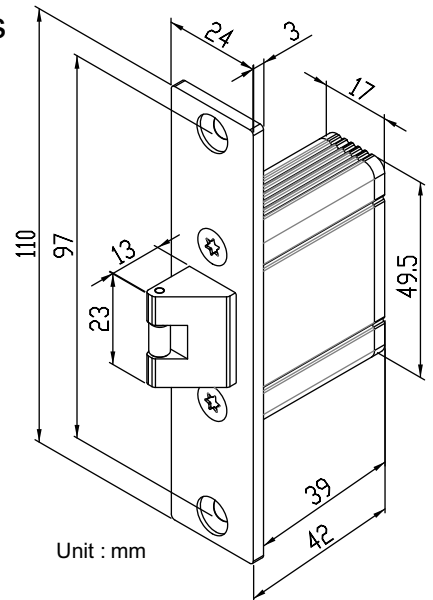
Copyright © 2011 Glianni Industries, Inc. All rights reserved.
P-MU-LS-2200-DIM Ver. A Publish: 2011.10.24

● Dimensions



Copyright © 2011 Glianni Industries, Inc. All rights reserved.
P-MU-LS-2200-DIM Ver. A Publish: 2011.10.24

● Dimensions



Copyright © 2011 Glianni Industries, Inc. All rights reserved.
P-MU-LS-2200-DIM Ver. A Publish: 2011.10.24