

LS-3500 Door Latch Installation Instructions

Features

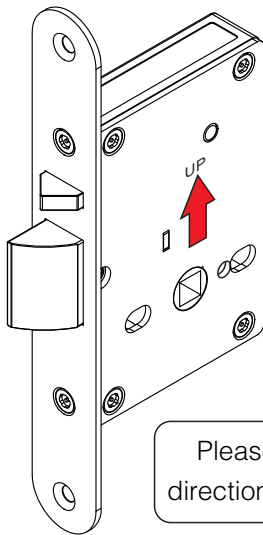
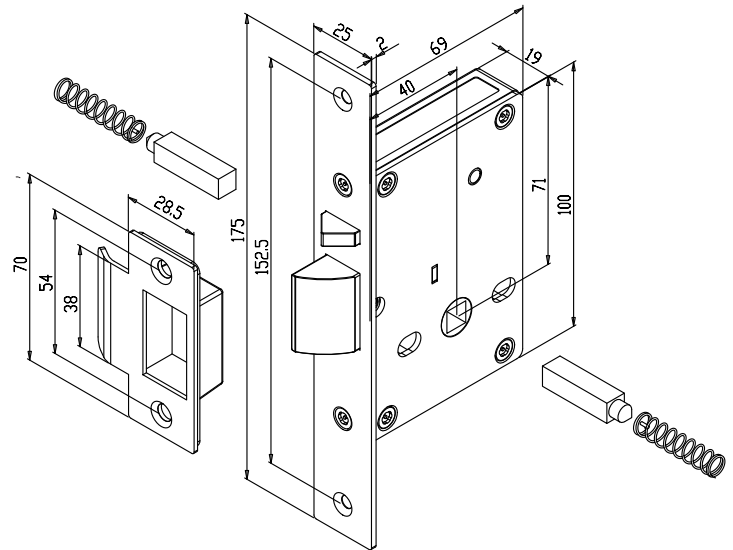
- Deadlatch positioned above the latchbolt for higher security control
- Reversible latchbolt for right- and left-handed doors
- Available with round/square corner faceplate

Specifications

- Faceplate Finish: Stainless steel
- Latchbolt Throw: 15mm
- Deadlatch Throw: 9mm
- Backset: 40mm

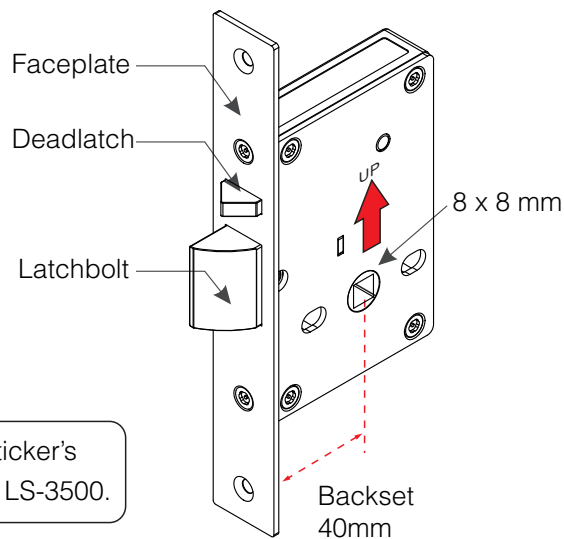
Dimensions

Unit: mm



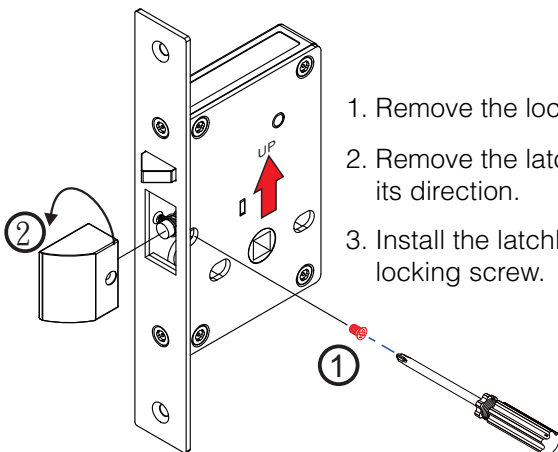
Please follow the sticker's direction to install the LS-3500.

Round corner faceplate



Square corner faceplate

Changing Latchbolt Direction



1. Remove the locking screw.
2. Remove the latchbolt and then reverse its direction.
3. Install the latchbolt and tighten the locking screw.

