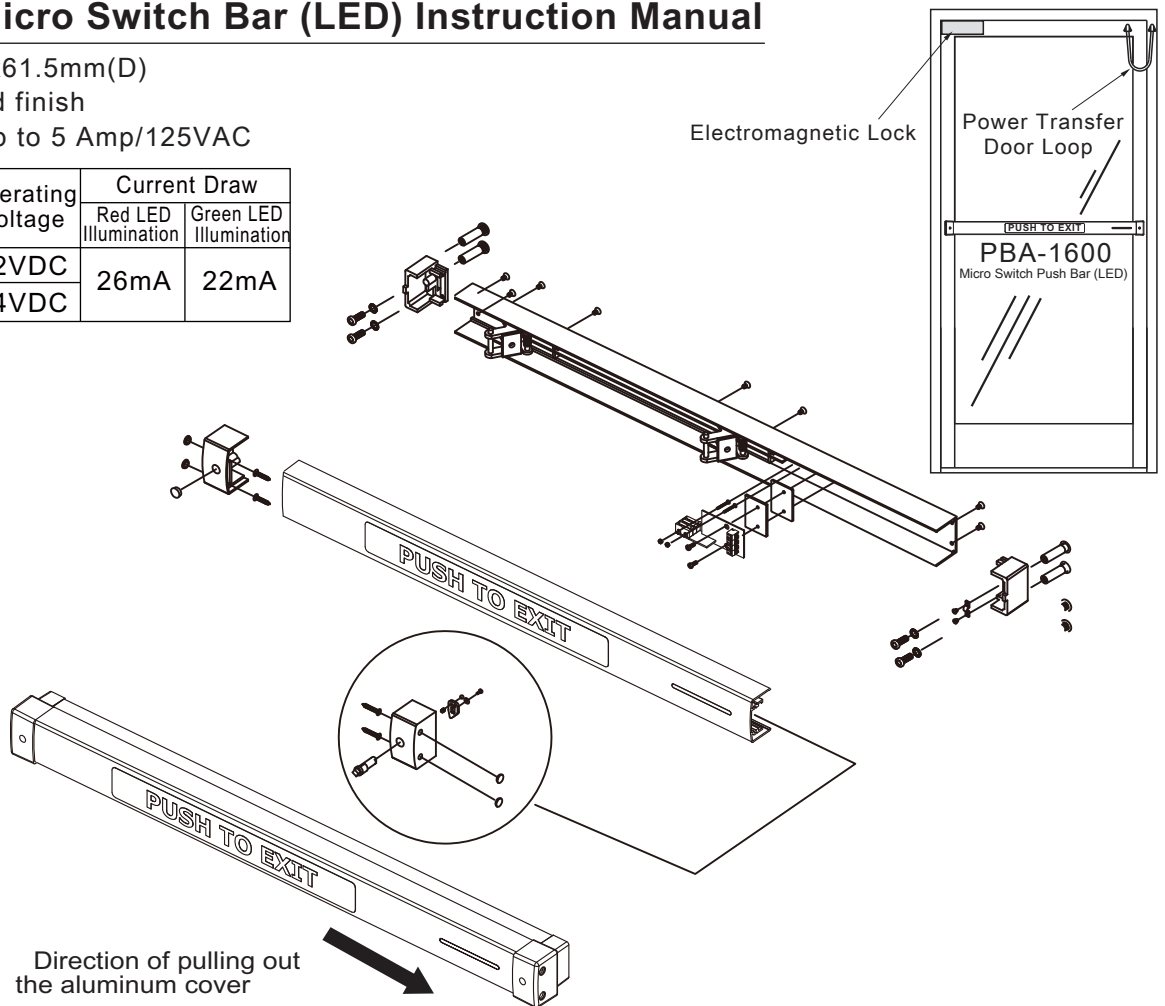


PBA-1600 Micro Switch Bar (LED) Instruction Manual

- 600(L)x66(W)x61.5mm(D)
- Clear anodized finish
- Relay rating up to 5 Amp/125VAC

Module	Operating Voltage	Current Draw	
		Red LED Illumination	Green LED Illumination
PBA-1600-12	12VDC	26mA	22mA
PBA-1600-24	24VDC	26mA	22mA



The PBA-1600 Micro Switch Bar(LED) is designed for emergency exit doors (or other large-scale outswing doors). When the bar is depressed, the micro switch will be activated to unlock the door for exit. The special design of LED indication allows people to locate the bar in the dark quickly and easily.

Figure A

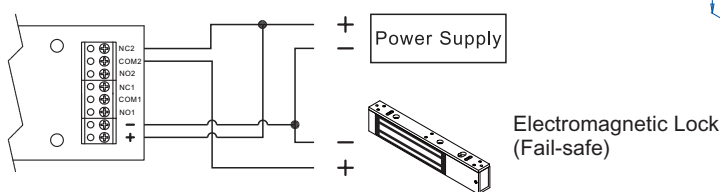


Figure A:
Directly control the fail-safe electromagnetic lock.

Figure B

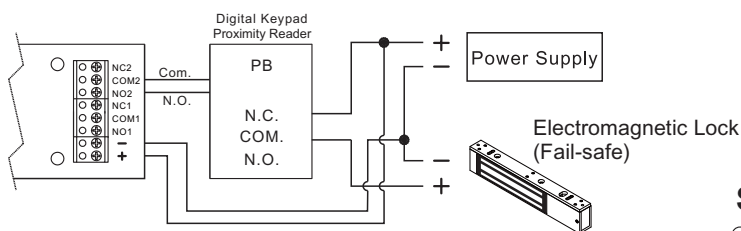
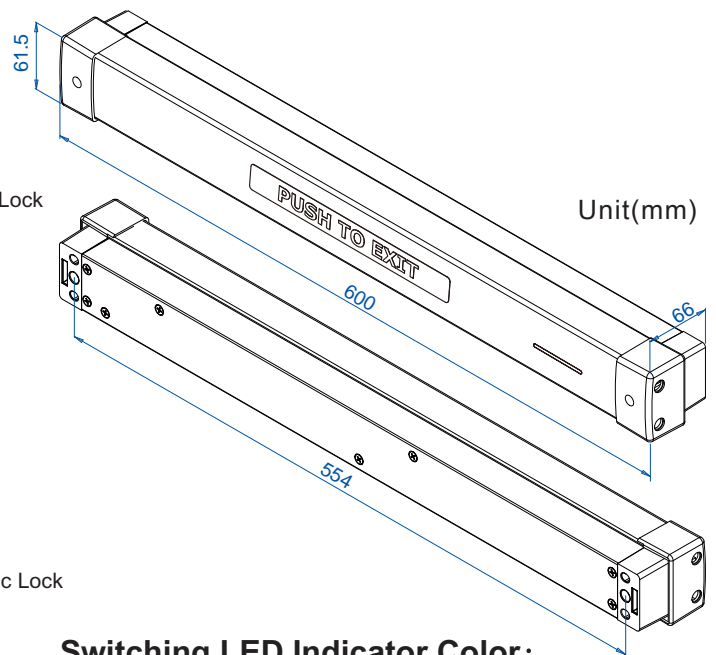


Figure B:
Connect to the push button terminal of the access control device.



Switching LED Indicator Color:

LED illuminates Red when power is applied. Depress the bar and the LED turns Green to indicate immediate egress.	LED illuminates Green when power is applied. Depress the bar and the LED turns Red to indicate immediate egress.	Place the jumper across the pins horizontally, not vertically.