

PBH-350 Electromechanical Push Bar (LED) Installation Instructions

The PBH-350 Electromechanical Push Bar (LED) is designed for emergency exit doors (or other large-scale outswing doors.) When the bar is depressed, the micro switch will be activated to unlock the door for exit. The special design of LED indication allows people to locate the bar in the dark quickly and easily. The electrified lock is designed with its high preload capability of 500 lbs to prevent the exit door from being locked in an emergency.

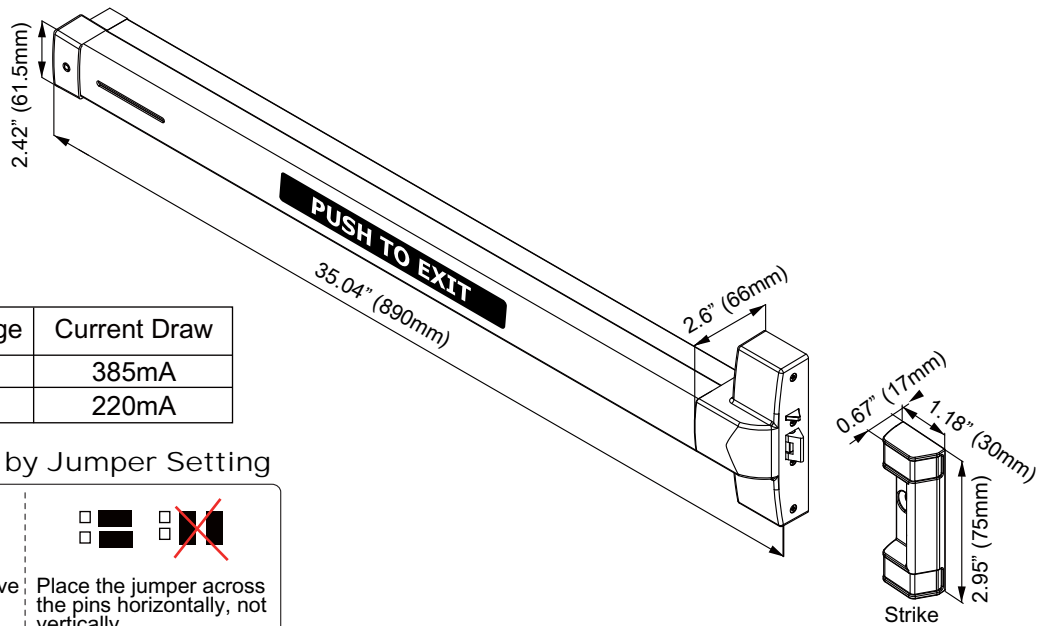
Specifications

- LED indicator (Green/Red)
- Zinc alloy housing
- Signal output 2 (NO2/COM2/NC2) (For external device)
- Relay rating up to 5A/125VAC

Lock Specs

- Static strength 1500 lbs.
- Up to 500 lbs. of preload
- Fail-safe mode

Model	Operating Voltage	Current Draw
PBH-350M-PL-12	12VDC	385mA
PBH-350M-PL-24	24VDC	220mA



Switching LED Indicator Colors by Jumper Setting

Set the jumper as above so that LED switches from red to green when bar is depressed.	Set the jumper as above so that LED switches from green to red when bar is depressed.	Place the jumper across the pins horizontally, not vertically.

Installation Steps

1.

Unscrew and remove the chassis cover.

2.

Unscrew and remove the end cap.

3.

Separate housing assembly and mount the device body horizontally. Reverse step 2, and then step 1.

4.

Connect to power and test the device. Complete the installation.

Wiring Diagrams (Fail-safe)

Figure A

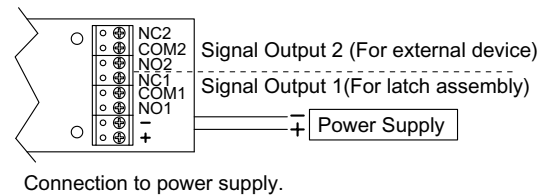
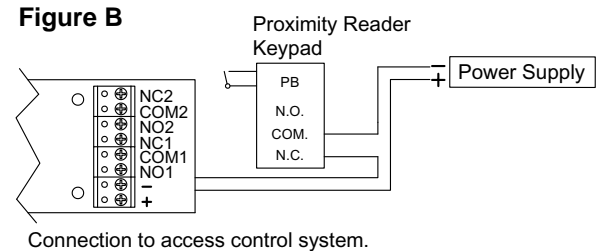


Figure B



Note:
NO1/COM1/NC1 terminals are factory default connected to latch assembly.