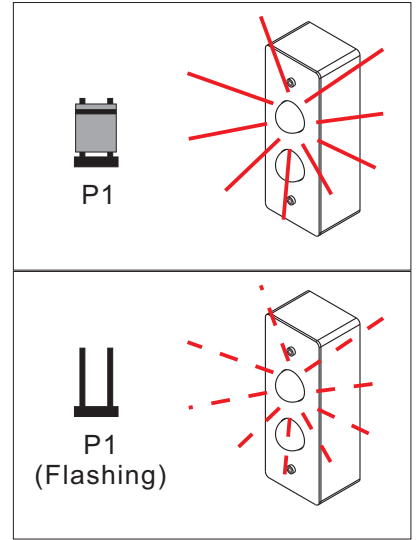
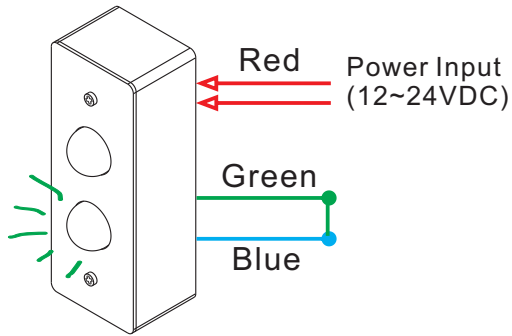
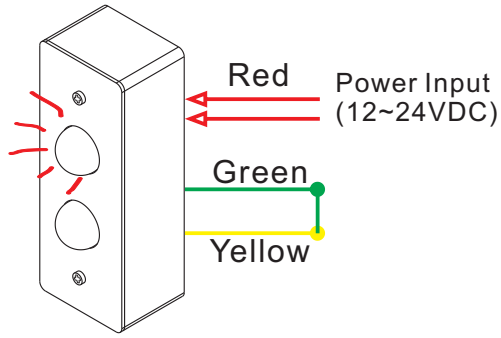
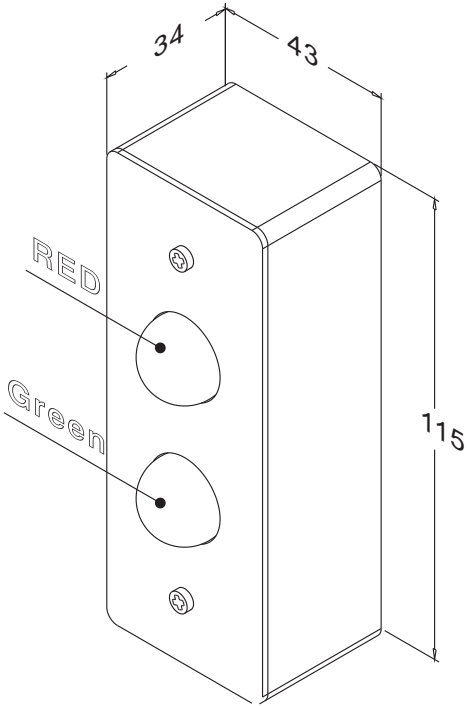


TLM-100 Door Status Indicator

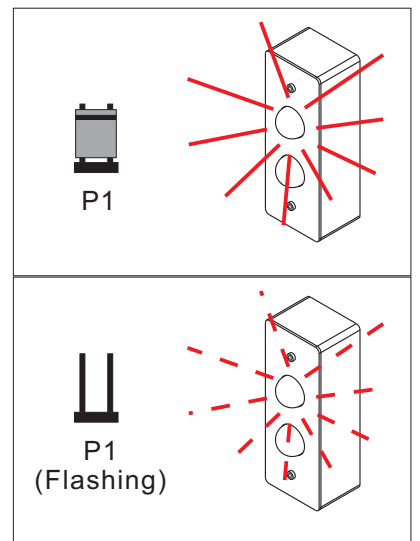
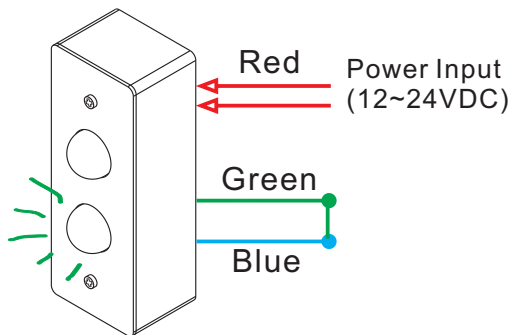
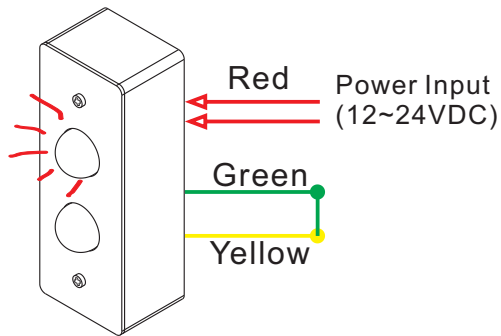
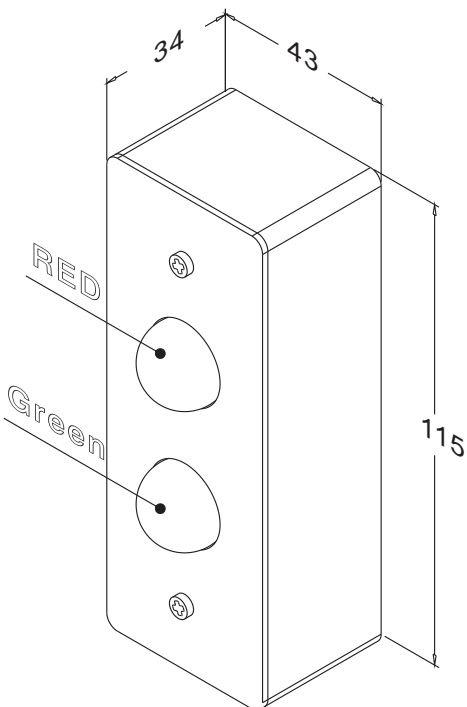
12~24 VDC
40mA/12VDC
70mA/24VDC



Copyright all rights reserved
P-MU-TLM100 Ver. A Publish:2012.12.05

TLM-100 Door Status Indicator

12~24 VDC
40mA/12VDC
70mA/24VDC



Copyright all rights reserved
P-MU-TLM100 Ver. A Publish:2012.12.05