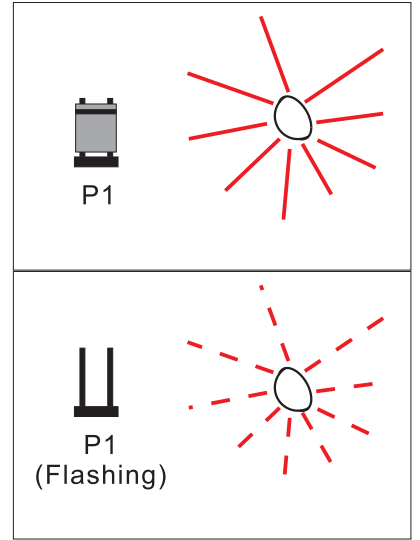
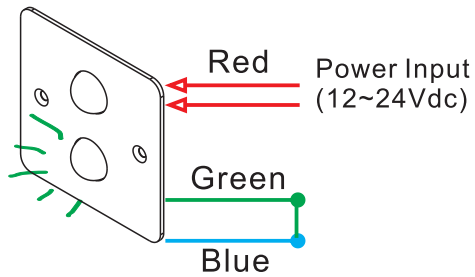
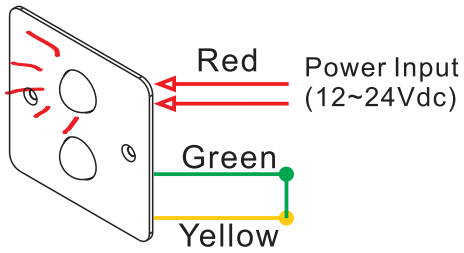
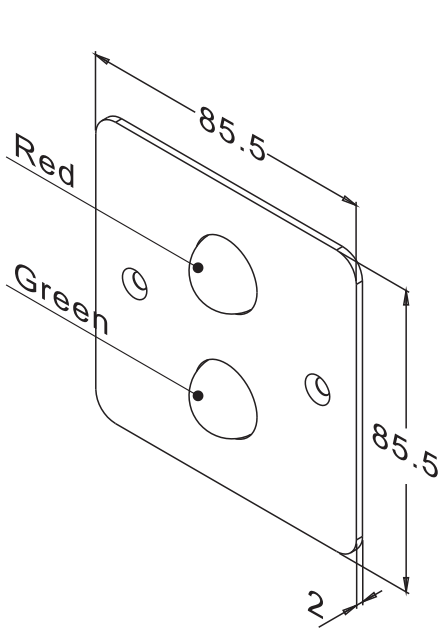


TLM-200 Door Status Indicator

12~24VDC

12VDC Holding: 20mA Pull In: 50mA

24VDC Holding: 20mA Pull In: 80mA



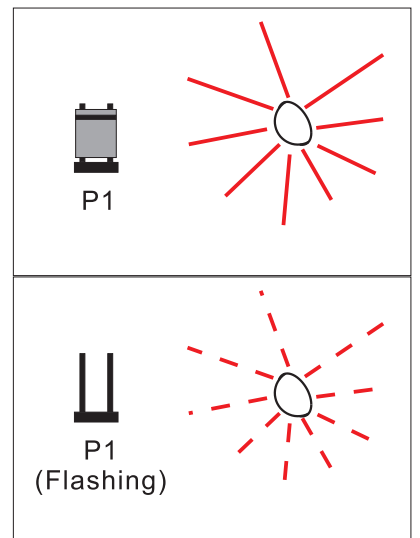
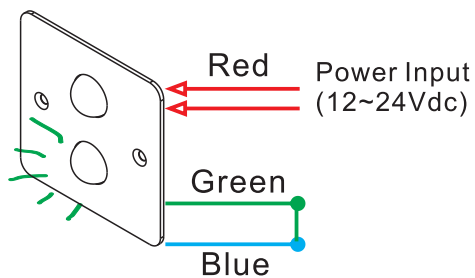
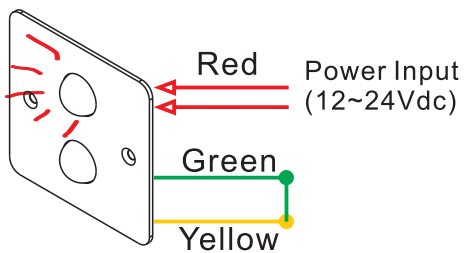
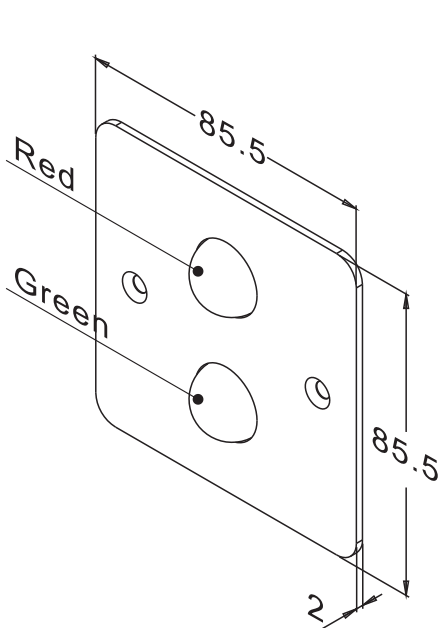
Copyright © all rights reserved
P-MU-TLM200 Ver. B Publish:2009.12.28

TLM-200 Door Status Indicator

12~24VDC

12VDC Holding: 20mA Pull In: 50mA

24VDC Holding: 20mA Pull In: 80mA



Copyright © all rights reserved
P-MU-TLM200 Ver. B Publish:2009.12.28