

European Profile General Purpose Key Switch

KS-7510A/ KS-800/ KS-900 Series

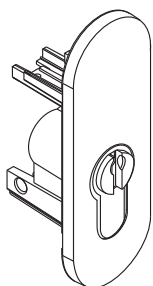
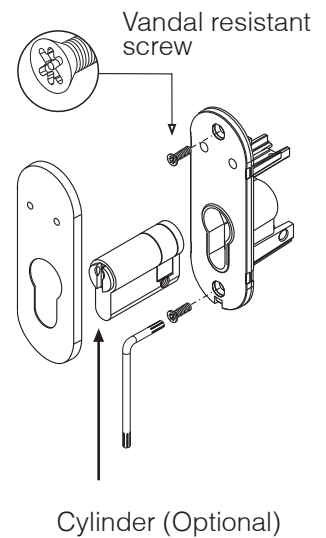
General purpose key switch is a simple solution for mechanical override or reset in an access control system overall. The key switches can be used to control electric locks (both fail-safe or fail-secure), shut or activate security panels and or fire alarm control panels. It is also an emergency backup option in the case where the proximity readers are faulty. Our series are complete with both momentary and maintained options in mortise and surface mount installation.

Specifications

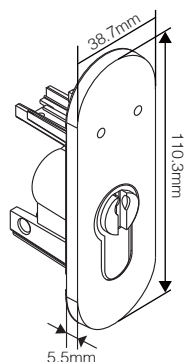
Models	KS-7510A	KS-800	KS-820LD	KS-810	KS-830LD	KS-860
Switch Contact	SPDT	3PDT	DPDT	3PDT	DPDT	SPDT
Contact Rating	4A/125VAC	5A/125VAC				
Switch Type	Momentary	Maintained		Momentary		Momentary/Maintained (Please specify)
Surface Housing	SMB-86ALU-03	Not available separately				
Surface Mount	KS-7510A-S	KS-800-S	KS-820LD-S	KS-810-S	KS-830LD-S	KS-860-S
LED	-	-	Yes	-	Yes	-
LED Input	-	-	12~24VDC	-	12~24VDC	-
Cylinder & Keys	Included	KS-800-C KS-800-S-C	KS-820LD-C KS-820LD-S-C	KS-810-C KS-810-S-C	KS-830LD-C KS-830LD-S-C	KS-860-C KS-860-S-C
Cylinder Type	1"	European type (45mm length standard)				
Faceplate Materials	Stainless Steel					
Dimensions	86.3 x 86.3 x 47 mm (3 3/8" x 3 3/8" X 1 7/8")					

Models	KS-900	KS-900LD	KS-910	KS-910LD
Switch Contact	DPDT	SPDT	DPDT	SPDT
Contact Rating	5A/125VAC			
Switch Type	Maintained		Momentary	
Surface Housing	SMB-370ALU			
Surface Mount	KS-900-S	KS-900LD-S	KS-910-S	KS-910LD-S
LED	-	Yes	-	Yes
LED Input	-	12~24VDC	-	12~24VDC
Cylinder & Keys	KS-900-C KS-900-S-C	KS-900LD-C KS-900LD-S-C	KS-910-C KS-910-S-C	KS-910LD-C KS-910LD-S-C
Cylinder Type	European type (45mm length standard)			
Faceplate Materials	Stainless Steel			
Dimensions	110.3x38.7x5.5 mm (4 5/16" x 1 1/2" x 1/5")			

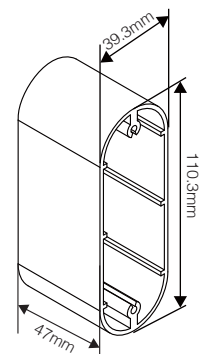
KS-900 Series



KS-900 / KS-910



KS-900LD / KS-910LD

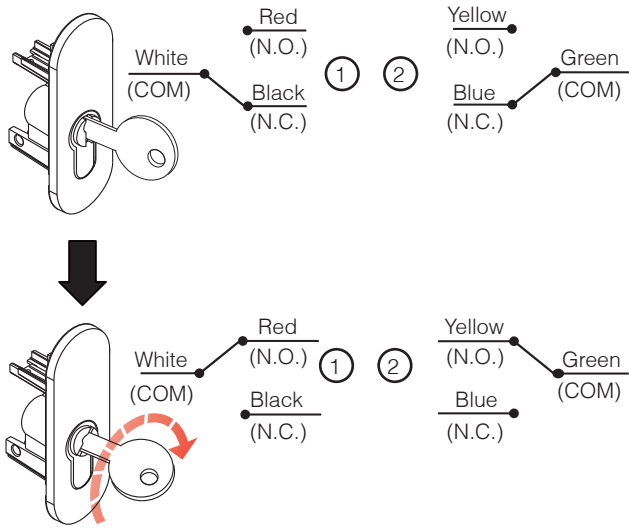


SMB-370ALU
For surface mount

Wiring Diagram

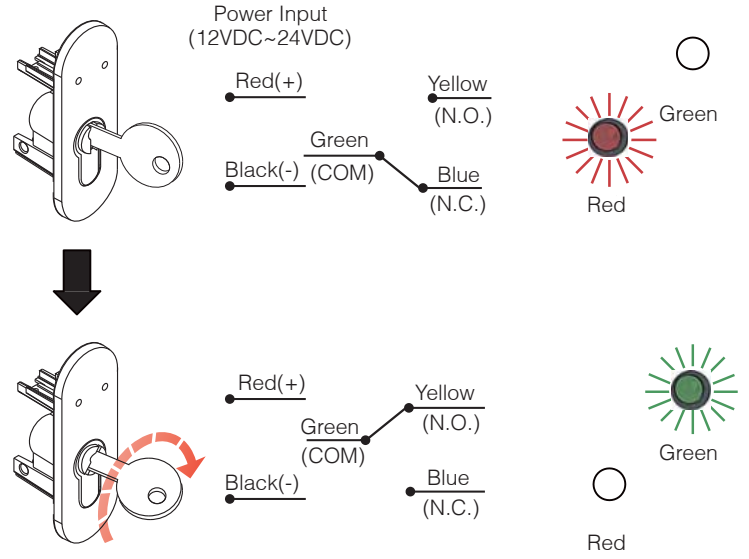
Standard Models (DPDT)

KS-900 & KS-910

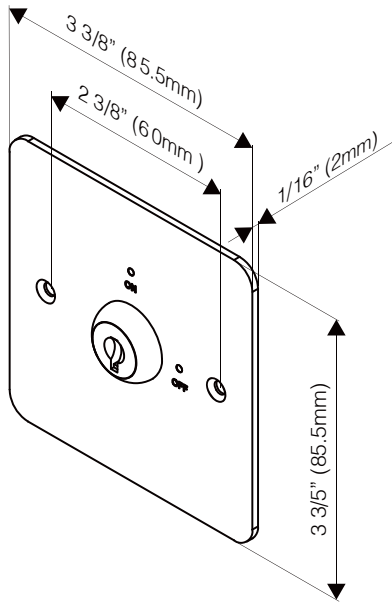


LD Models (SPDT)

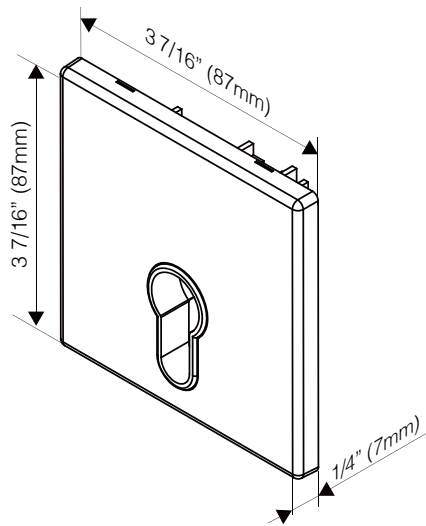
KS-900LD & KS-910LD



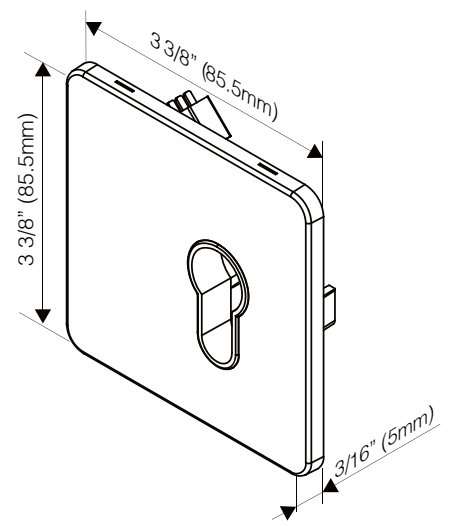
KS-7510A & KS-800 Series



KS-7510A



KS-800/ KS810

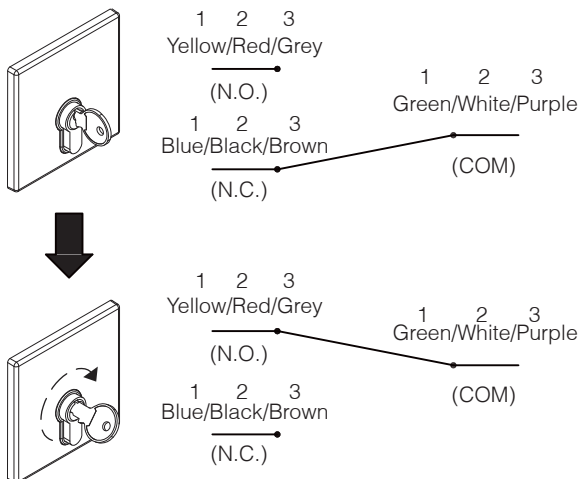


KS-860

Wiring Diagram

Standard Models (SPDT/3PDT)

KS-860 (SPDT) or KS-800/KS-810 (3PDT)



LD Models (DPDT)

KS-820LD & KS-830LD

