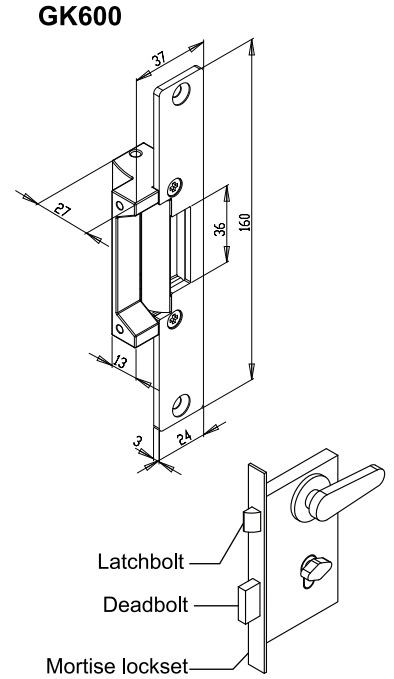
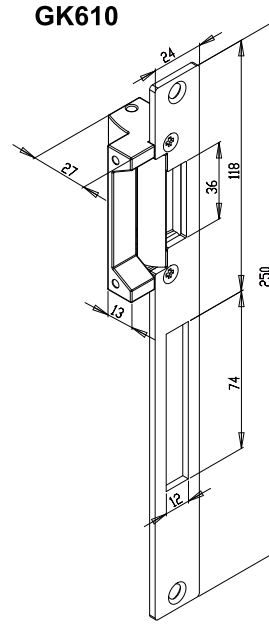
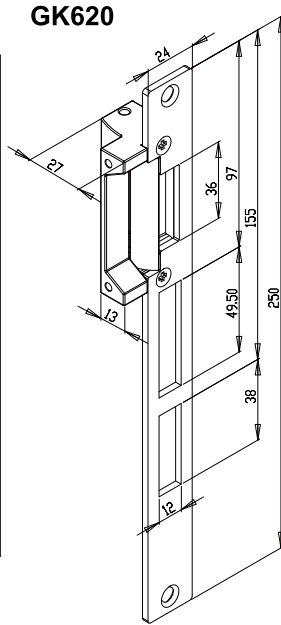


# Electric Strike Installation Instruction

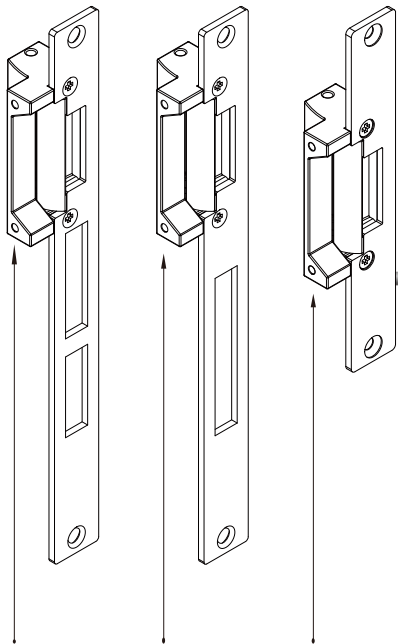
## GK600 Series

### Specification

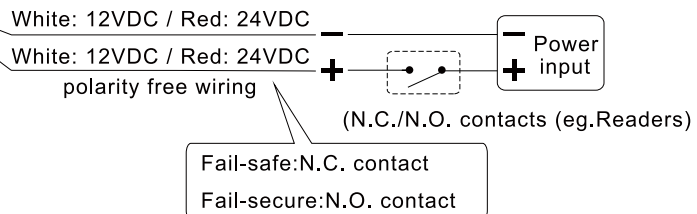
Operating Voltage	12VDC or 24VDC
Current Draw	250mA/12VDC 150mA/24VDC (at temperature 20°C)
Operating Temperature	-10~+45°C
Humidity	0~95%
Life Rating of Solenoid	over 500,000 cycles
Latch Throw	10mm (approx.)
Keeper Width	36mm (approx.)
Material	Zinc alloy main stand Stainless steel faceplate
Weight (approx.)	GK600 220g GK610 235g GK620 230g



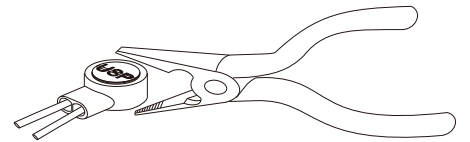
### Wiring Diagram Single Voltage (12V or 24V)



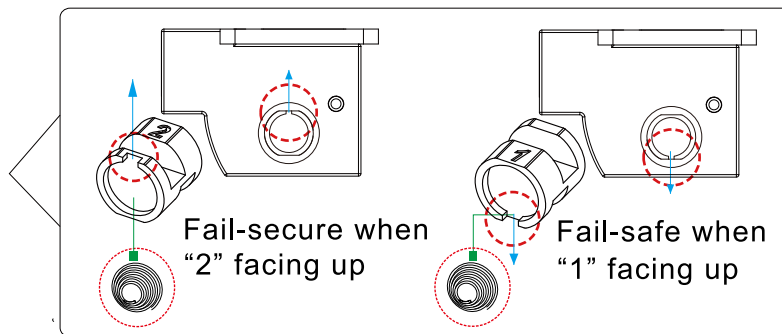
Control Mode



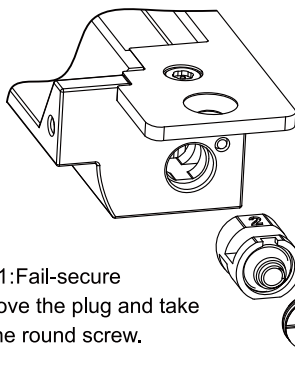
### Butt Splice (IDC) Connector



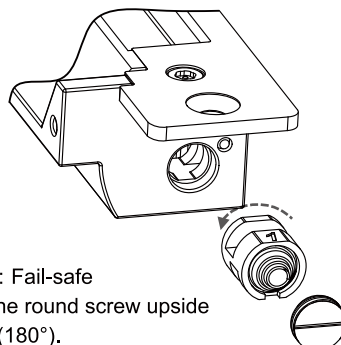
Place the wire inside the connector and use pliers to press down on the head of the connector evenly.



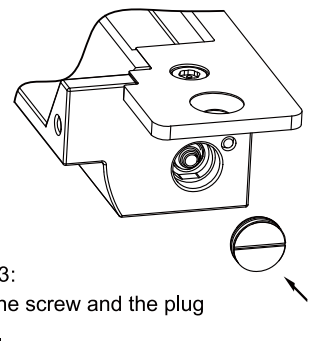
### Version Adjustment:



Step1: Fail-secure  
Remove the plug and take out the round screw.



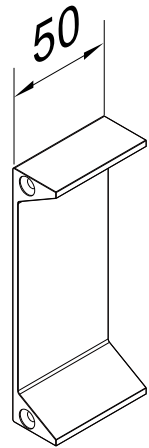
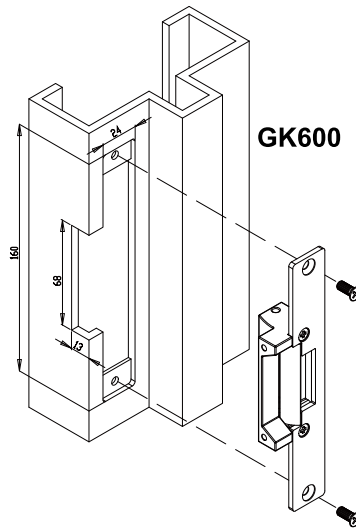
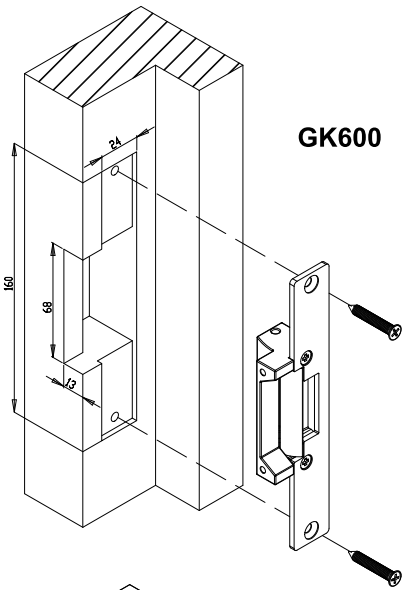
Step2: Fail-safe  
Turn the round screw upside down (180°).



Step3:  
Put the screw and the plug back.

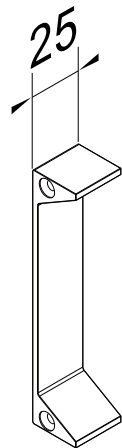
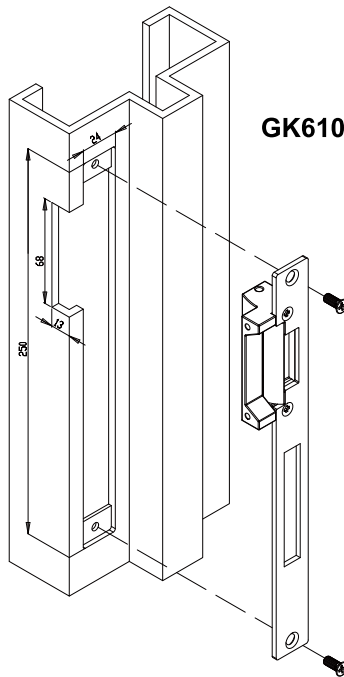
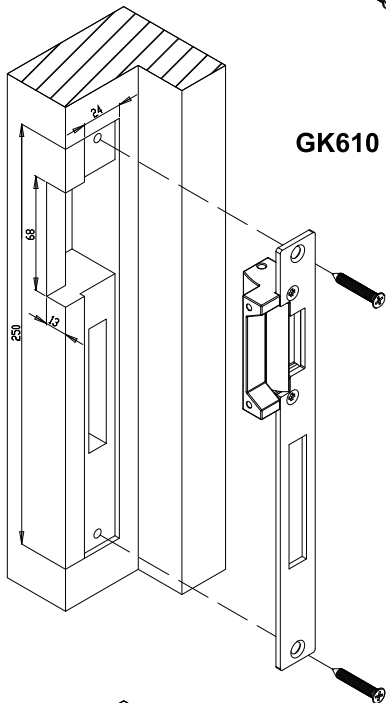
**Mortise Mount on Wooden Frames**

**Mortise Mount on Hollow Metal Frames Optional Brackets**



LP-GK600-050

50mm



LP-GK600-025

25mm

